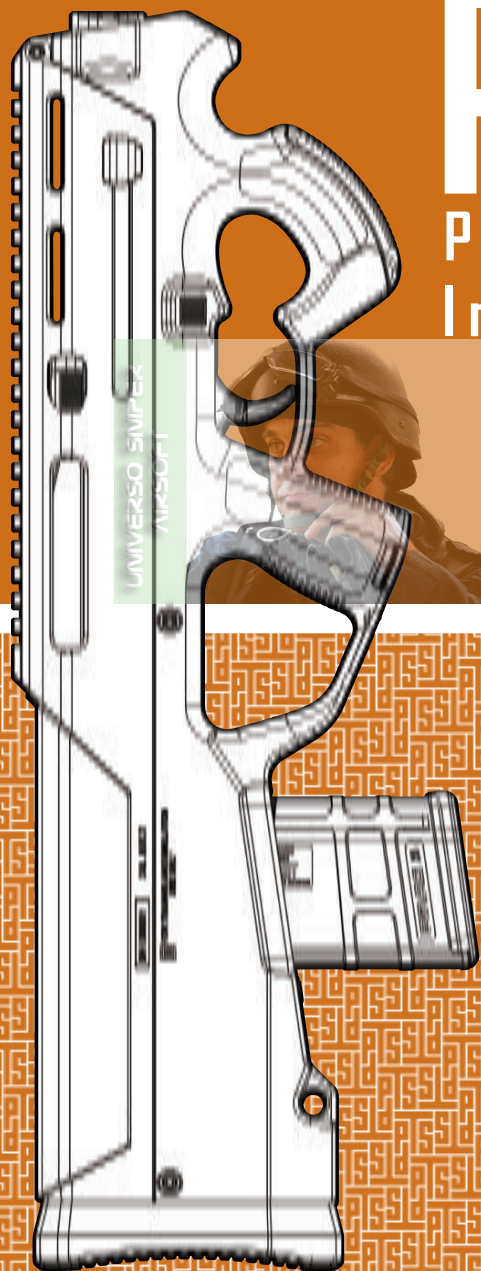




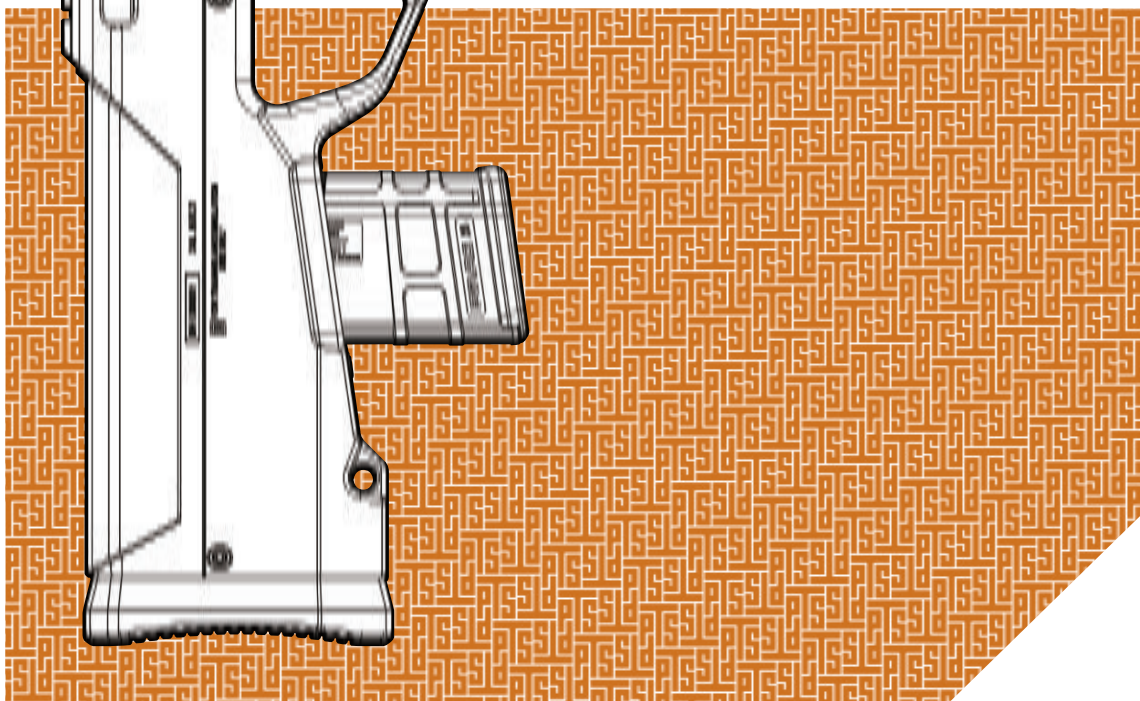
PDR-C™

Personal Defense Rifle
Instruction Manual



UNIVERSO SNIPER
AIRSOFT

UNIVERSO SNIPER
AIRSOFT



PTS PDR™ (Personal Defense Rifle™)

History

The Magpul PDR™ is a conceptual prototype. Magpul Industries began development of the Personal Defense Rifle™ (PDR™) in 2006. This concept is envisioned as an ultra-compact, rifle-caliber personal defense weapon. It is designed to fill the unique role between pistol and rifle, by combining the capabilities of the latest generation of PDW systems while greatly reducing any logistical burden.

PTS PDR™ (Personal Defense Rifle™)

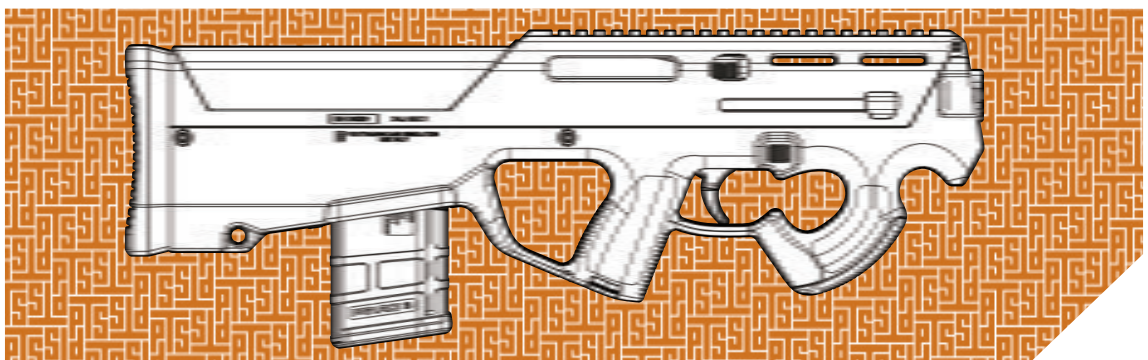
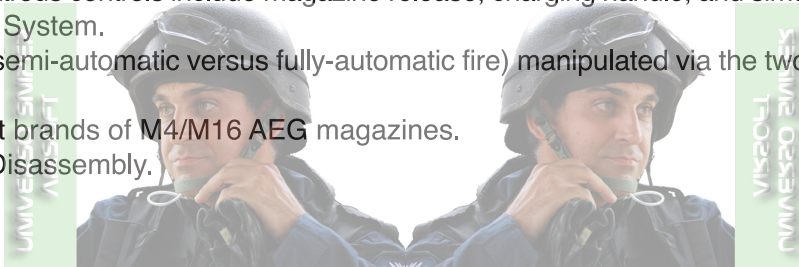
Configurations

PDR-C™

Designed for use in space restricted areas such as vehicles and aircraft. Also suitable missions requiring conceal ability. Features streamlined "no snag" design, integrated forward grip and shortened tail section.

Core features:

- Ultra compact, streamlined "no snag" design, integrated forward grip and shortened tail section.
- Enhanced Version III type gear box AEG.
- The receiver is made from reinforced polymer.
- Military specification 1913A rail for mounting iron sights, optics, and/or optional carry handles (sold separately).
- Fully ambidextrous controls include magazine release, charging handle, and simulated Reversible Mid Ejection System.
- Fire control (semi-automatic versus fully-automatic fire) manipulated via the two stage weighted trigger.
- Accepts most brands of M4/M16 AEG magazines.
- Quick Field Disassembly.



SAFETY INSTRUCTIONS AND HANDLING

You should be fully familiar with the proper and safe handling of your airsoft gun. The basic principles of weapons safety require you to always apply the following rules when handling airsoft guns:

- Always treat an airsoft gun/weapon as if it were loaded.
- Always put the safety of an airsoft gun/weapon to “SAFE” when loading it so that there can be no risk of an unintentional discharge.
- Keep your finger off the trigger and outside the trigger guard until you are ready to shoot.
- Always keep the muzzle pointed in a safe direction.
- Never aim your airsoft gun/weapon at persons, animals or property. To avoid ricochets, never fire at smooth, hard surfaces or water.
- Before you discharge your airsoft gun/weapon, make sure that the target and surrounding area is safe. Always be aware of your target's foreground and background.
- Proper eye protection should always be worn when firing an airsoft gun/weapon.
- Always store your airsoft gun/weapon in a safe place, in an unloaded condition and out of reach from children.
- This airsoft gun/weapon along with its operating instructions may only be handed over to persons who have reached the age of 18 (or older) and who are fully familiar with the handling of it.
- Modifications and/or repairs to the airsoft gun/weapon should only be completed by authorized agencies or by a skilled gunsmith.
- Never leave the loaded airsoft gun/weapon unattended.
- Only an unloaded airsoft gun/weapon is to be handed over to another person.

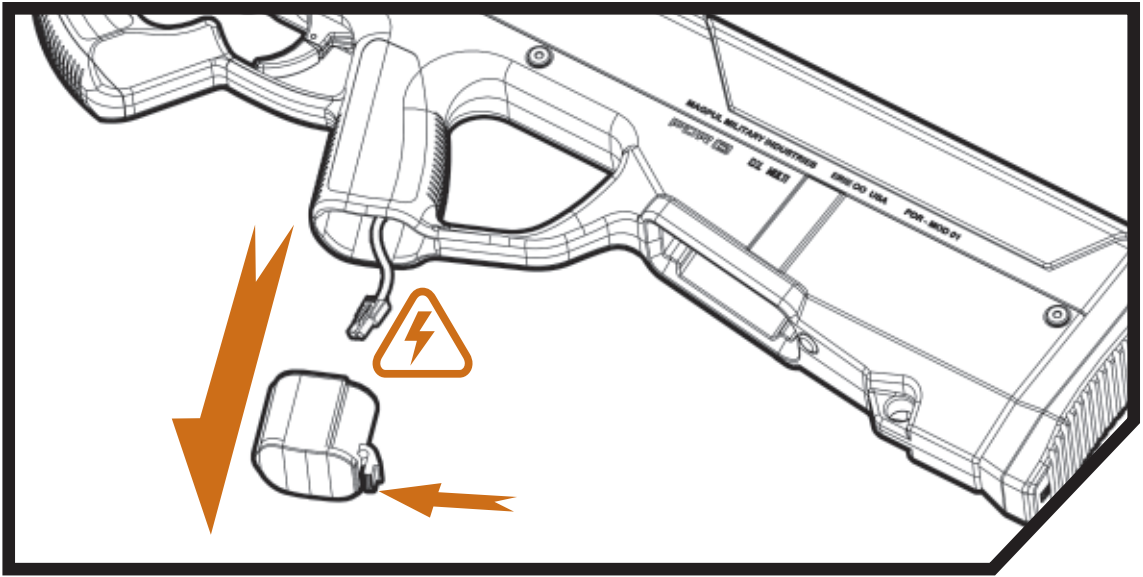
CAUTION

- You must be 18 years or older to purchase this airsoft gun.
- Any alteration or conversion done to this airsoft product that leads to a different classification of the airsoft gun/weapon in regards to the applicable firearms legislation may render it illegal. If these circumstances occur, the manufacturer's warranty becomes immediately null and void.

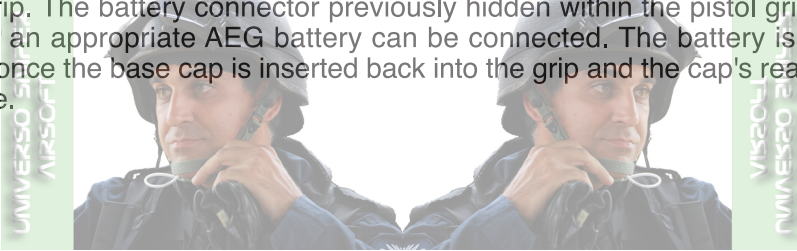
WARNING

- Do not brandish or display this airsoft product in public - it may confuse people and may be a crime in your area. Police and others may view it as a firearm and they may react under that assumption. Do not change the coloration and markings to make it look like a real firearm. That is dangerous and may be a crime.
- Observe safe firearm handling practices at all times. Failure to do so may result in serious bodily injury or death. PTS is not responsible for injury, death or property damage resulting from faulty installation, misuse, illegal use, or modification of this product.
- PTS products feature design modification and/or material construction that renders them incompatible with real firearms.
- DO NOT attempt to install, modify, or otherwise adapt PTS products for use on real firearms, as damage to the weapon and/or serious personal injury may occur.

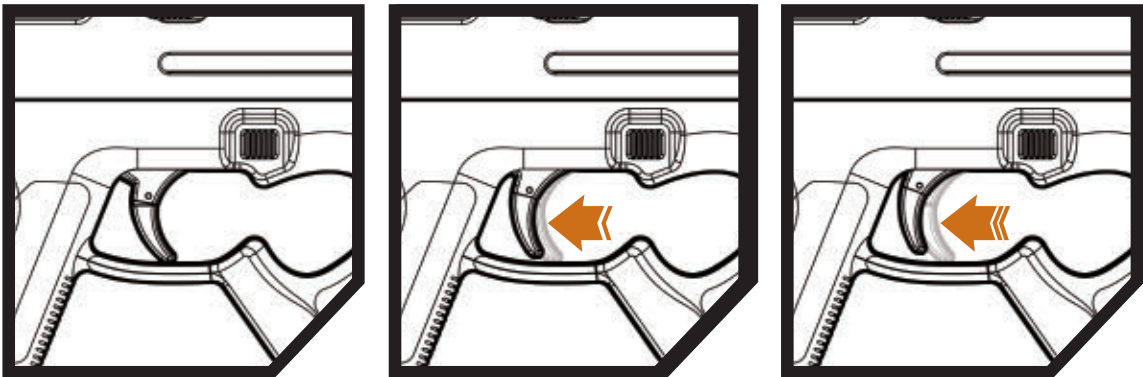
Battery Installation



The battery that powers the PTS PDR can be contained within the PTS PDR's pistol grip. To access the compartment within the pistol grip, invert the PDR and depress the release tab at the rear of the pistol grip's base cap. Once depressed the base cap can be pulled out of the pistol grip. The battery connector previously hidden within the pistol grip can now be accessed and an appropriate AEG battery can be connected. The battery is stored within the pistol grip once the base cap is inserted back into the grip and the cap's rear tab securely locked in place.



Trigger Control



Safety

Semi

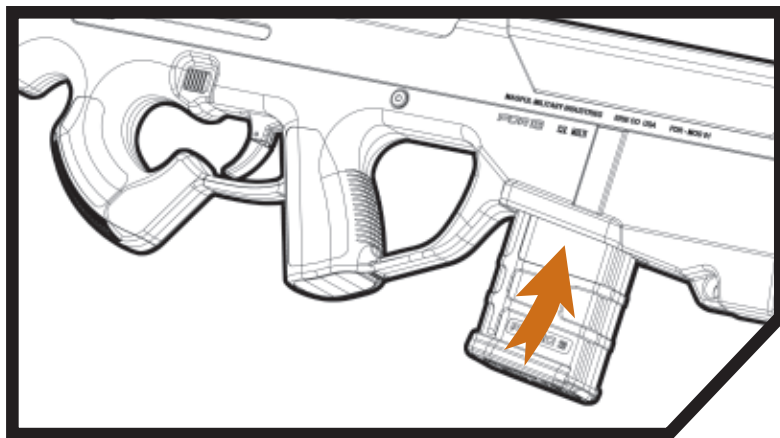
Auto

The PTS PDR has a trigger safety similar to many popular striker fired, double-action-only handguns. ***There are no other safeties present on the gun.***

The PTS PDR's selective fire setting is user controlled via the weighted trigger. The trigger has two stages during its rearward press. The first half of the trigger press produces semi-automatic fire from the PDR. Fully pressing the trigger to the rear produces constant automatic fire until the trigger is released. There is a distant difference between the trigger's pull weights of the semi-automatic and fully-automatic settings.

Loading and Unloading the Magazine

The PTS PDR is designed to work with standard M16 style AEG magazines, including Tokyo Marui M16 magazines and PTS PMAGs. Simply insert the magazine into the magazine well. When it's fully seated, the magazine catch will lock the magazine in place. Depressing the ambidextrous magazine release button located on either side of the PDR, releases the magazine which can then be removed from the gun by pulling the magazine downwards.



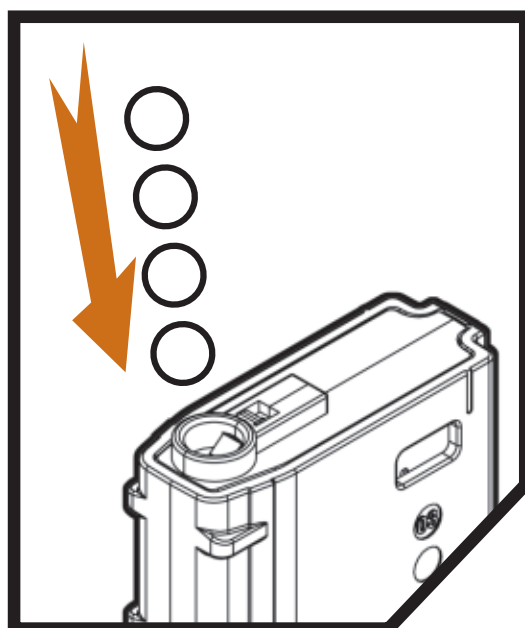
UNIVERSO SNIPER
AIRSOFT



UNIVERSO SNIPER
AIRSOFT

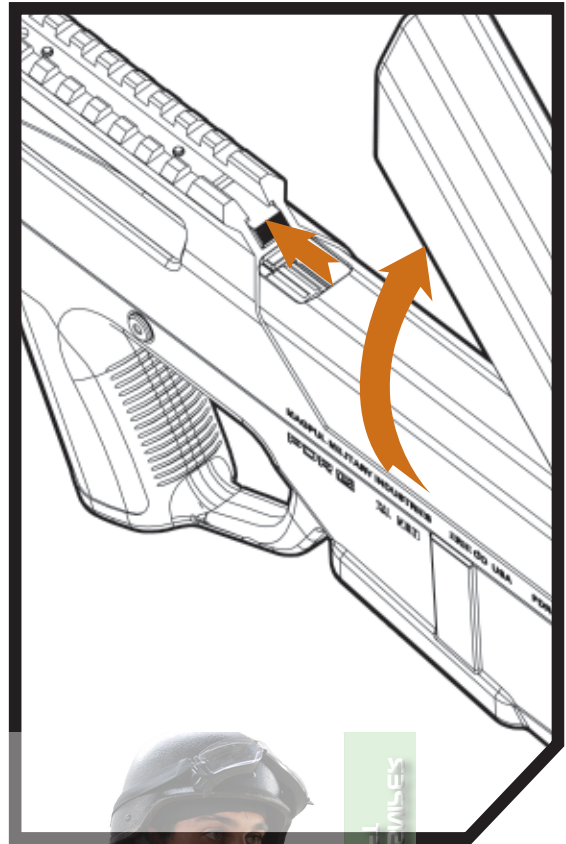
Loading the airsoft magazine

Only use good quality 6mm airsoft BB pellets with your PTS PDR. Using a BB loader, feed the 6mm airsoft BBs into the magazine. The magazine included with the PTS PDR is a 70 round PTS Midcap magazine.

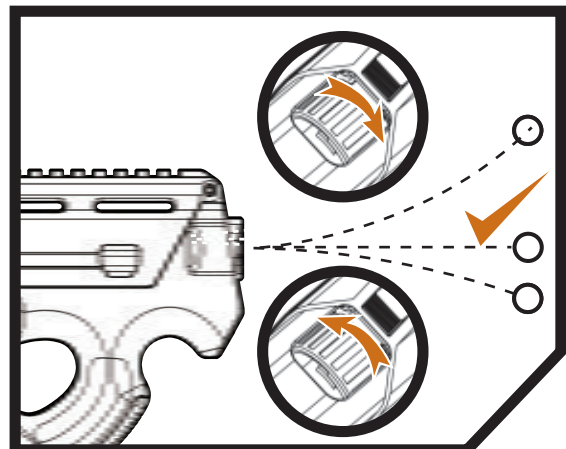
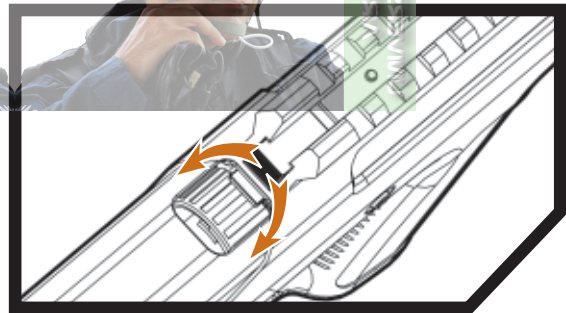


Opening the Chamber and Hop-Up Adjustment

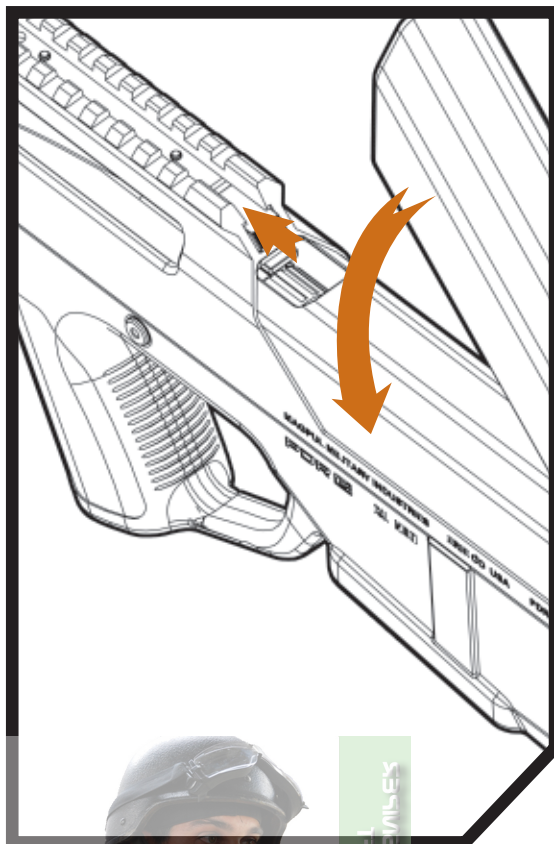
The PTS PDR has a Hop-Up unit which is a mechanical device that applies back spin to the BB projectiles as they are fired from the gun. This back spin creates lift in the flight of the round, and fights the effects of gravity thereby increasing the range of the projectiles. To access the PTS PDR's Hop-Up unit, the Press Check Blast Cover must be removed from the inspection port. First, push forwards on the Press Check Blast Cover's locking button (located behind the PDR's top MIL-STD-1913 picatinny rail). The Press Check Blast Cover can now be hinged rearwards and unhooked from the PDR.



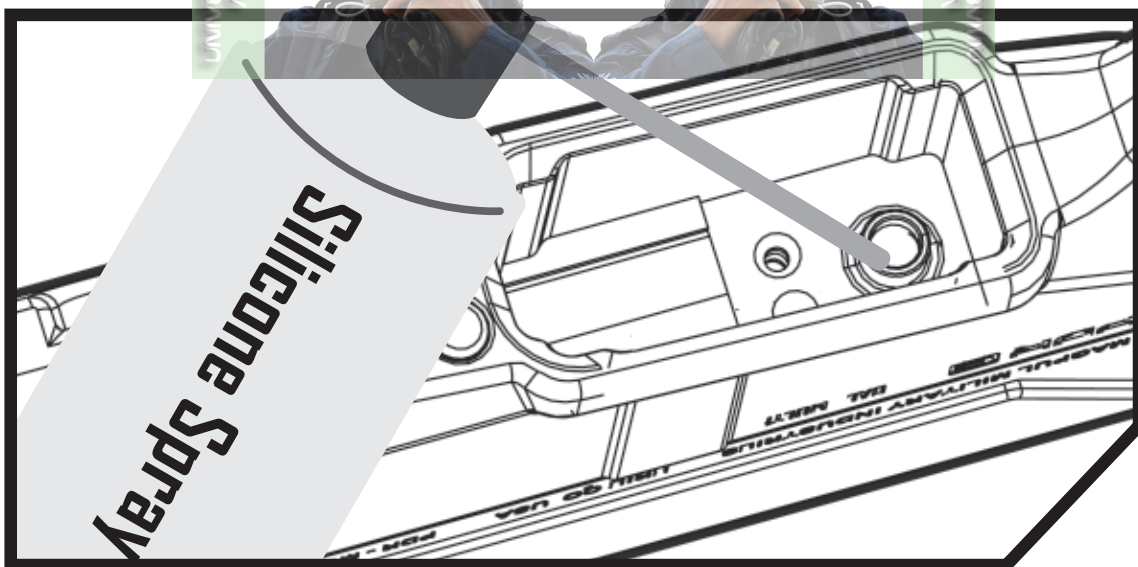
The hop-up unit is now accessible and the user can adjust the hop-up's setting for optimal performance. Rotate the hop-up unit's dial to the [right] to increase hop-up effects, and rotate the dial to the [left] to decrease the hop-up effects. To gauge which way to adjust the hop-up, fire a few rounds in a safe direction. If the projectiles drop down prematurely, you will have to increase the hop-up (turn the dial to the [left]). If the projectiles curve upwards, you will have to decrease the hop-up (turn the dial to the [right]). The ideal setting is when the rounds fired maintain a relatively flat trajectory, essentially a "sweet spot" between too much and too little hop-up. Please keep in mind that any hop-up setting will behave differently from one ammo weight to another (e.g. 0.2 gram BBs versus 0.25 gram BBs). If the hop-up has been adjusted for ideal shot trajectory with a certain weight BB, changing the weight of the BB may require adjustment of the hop-up setting.



To replace the Press Check Blast Cover, hook the rear tab of the cover into the back of the inspection port's opening. The front tab of the Press Check Blast Cover can then be locked into the inspection port's locking button.

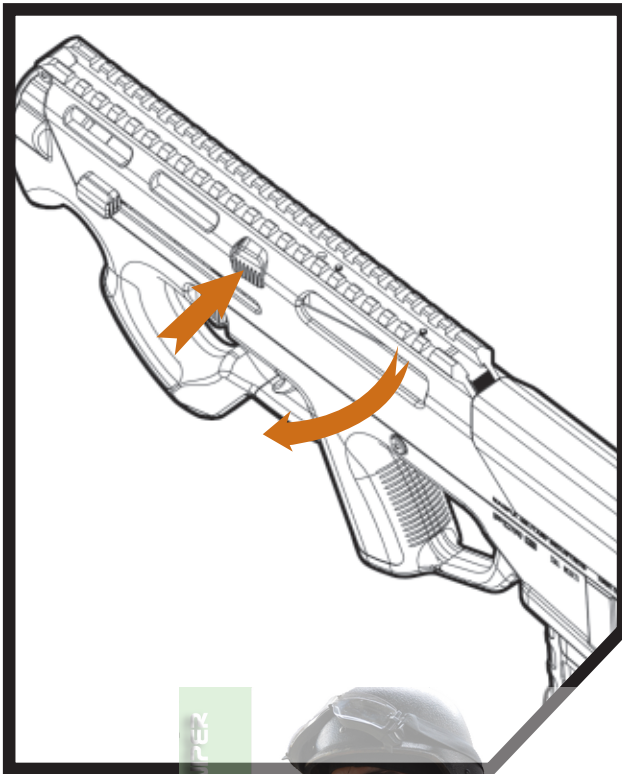


Maintenance with Silicone Spray

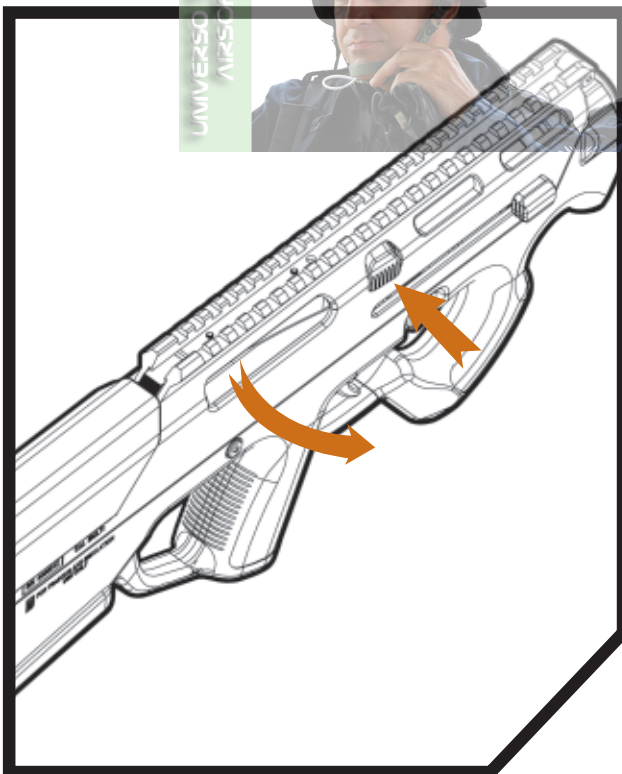


Occasional maintenance of your PTS PDR using silicone oil lubricant is highly recommended to ensure your AEG is running optimally. There are various brands and types of silicone oil on the retail market for various different end uses, however we recommend only using silicone oil manufactured specifically for airsoft purposes. Never ever use WD-40 as an airsoft lubricant. To properly lubricate your PDR, apply a small amount of silicone oil into the hop-up chamber via the BB feed opening.

Reversible Mid Ejection System



The PTS PDR has a simulated Reversible Ejection System. Though non-functional in regards to the operation of the AEG system, it was deemed necessary in the development of it's real world counterpart to allow the user define the side from which the shells are ejected from the gun. As such, this feature has been replicated in the PTS PDR. The ambidextrous ejection port button is located forwards of the ejection port. Pushing the button inwards on the left side of the gun sets the PDR up for a right handed user. Pushing the button inwards on the right side of the gun sets the PDR up for a left handed shooter.

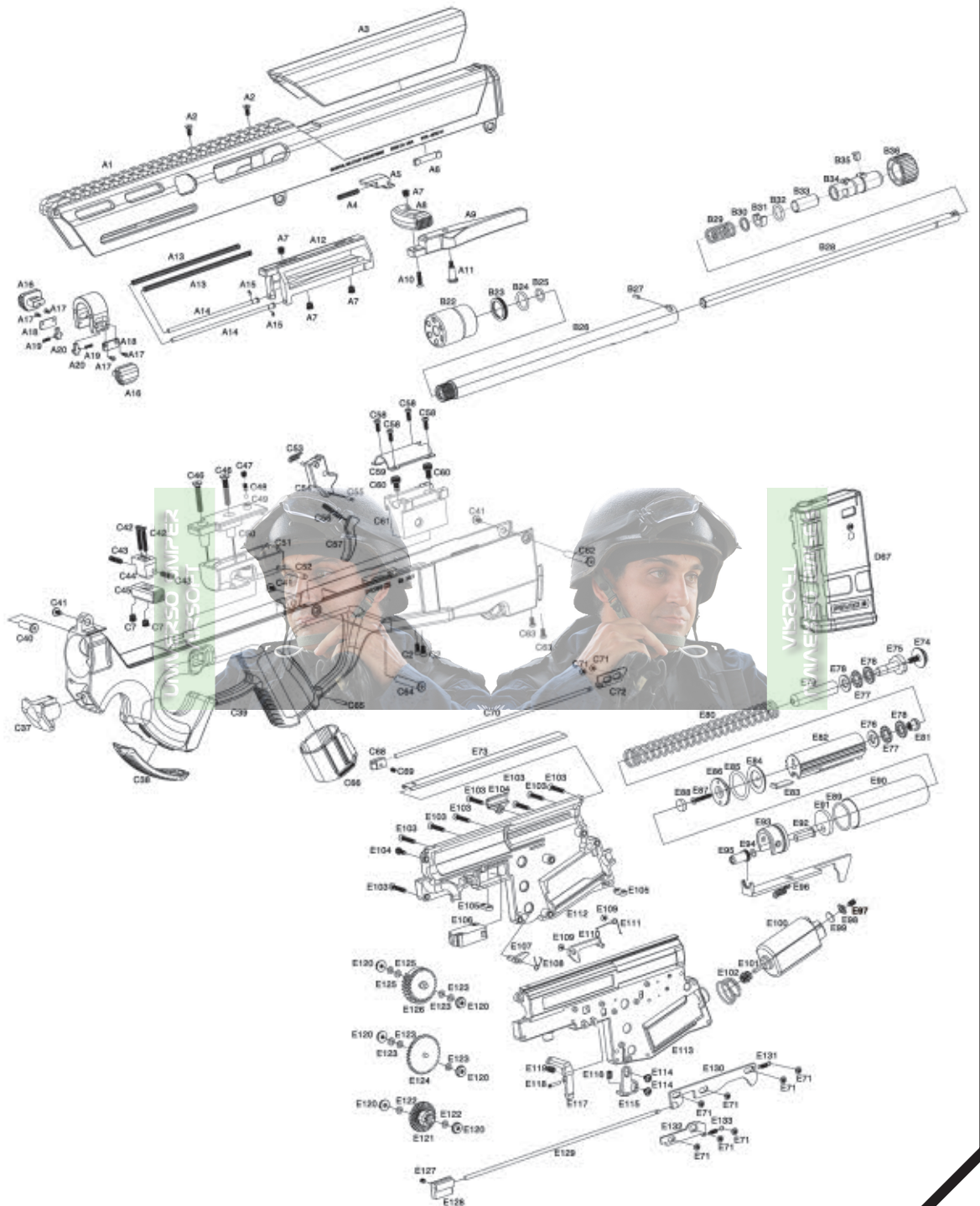


UNIVERSO SIMPER
AIRSOFT



UNIVERSO SIMPER
AIRSOFT

Exploded View



PTS PDR AEG Parts List Catalogue

A) Upper Receiver Set

- A1 Upper Receiver
- A2 M3 x 8 Hex. Countersunk
- A3 Cheek Riser
- A4 Latch spring
- A5 Cheek Riser Latch
- A6 Serial Number Plate
- A7 Bolt
- A8 Ejection port selector
- A9 Ejection port arm
- A10 M4 x 12 Hex. Countersunk
- A11 Pivot bolt
- A12 Ejection selector housing
- A13 Spring
- A14 Spring Guide
- A15 C-Clip
- A16 Charging Handle Knob
- A17 M2 x 5 Philips Head, Countersunk
- A18 Locking plate
- A19 Spring
- A20 Lock
- A21 Block slider

B) Barrel Set

- B22 Flash Hider
- B23 Crush Washer
- B24 O-ring
- B25 Washer
- B26 Outer barrel
- B27 Pin
- B28 Inner barrel
- B29 Detension spring
- B30 Washer
- B31 Inner barrel locator
- B32 O-ring
- B33 Hop-up tube
- B34 Hop-up housing
- B35 Hop-up bucking
- B36 Hop-up control

C) Lower Receiver Set

- C2 M3 x 8 Hex. countersunk
- C7 Bolt
- C37 Cover
- C38 Fore grip cover
- C39 Lower receiver
- C40 Push pin bolt
- C41 Push pin screw

- C42 M3 x 20 Philips Head. Countersunk
- C43 Spring
- C44 Sprung block
- C45 Mag release button
- C46 M4 x 24 Hex. Countersunk
- C47 M4 x 4 Hex. set screw
- C48 Spring
- C49 Ball Bearing
- C50 Housing cover
- C51 Housing
- C52 Pin
- C53 Spring
- C54 Trigger upper
- C55 Pin
- C56 Spring
- C57 Trigger lower
- C58 M3 x 20 Philips Pan head.
- C59 Barrel clamp upper
- C60 M4 x 8 Hex. Cheese head
- C61 Barrel clamp lower
- C62 Push pin bolt
- C63 M3 x 9 Philips Pan head.
- C64 Push pin bolt
- C65 Pin
- C66 Grip base

D) Magazine

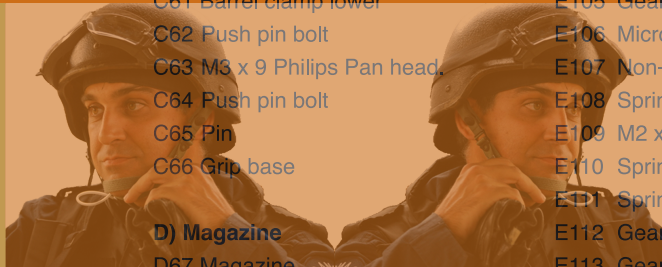
- D67 Magazine

E) Gear Box Set

- E68 Follower
- E69 M1.5 x 4. Set screw
- E70 Rod
- E71 M2 x 4. Philips washer head
- E72 Magazine release plate
- E73 Gearbox clamp
- E74 Spring guide cover
- E75 Guide holder
- E76 Washer
- E77 Ball bearing plate
- E78 Washer
- E79 Spring Guide
- E80 Gearbox Spring
- E81 Piston insert
- E82 Piston
- E83 Ground Rack
- E84 O-ring clamp
- E85 O-ring

- E86 O-ring clamp
- E87 Piston screw
- E88 Spacer
- E89 O-ring
- E90 Cylinder
- E91 Rubber plate
- E92 Nossle guide
- E93 Cylinder head
- E94 O-ring
- E95 Air nossle
- E96 Tappet plate & spring
- E97 M4 x 6 Set screw
- E98 Set screw bolt
- E99 Motor support
- E100 Motor
- E101 Bevel gear
- E102 Spring
- E103 M3 x 16 Philips Head countersunk
- E104 Wire clamp
- E105 Gearbox boss
- E106 Micro switch
- E107 Non-return latch
- E108 Spring
- E109 M2 x 4 Philips Washer Head
- E110 Spring release latch
- E111 Spring
- E112 Gearbox housing Right
- E113 Gearbox housing Left
- E114 Button release plate
- E115 Button release plate
- E116 Spring
- E117 Magazine latch
- E118 Pin
- E119 Spring
- E120 Bearing
- E121 Bevel gear
- E122 Washer
- E123 Washer
- E124 Spur gear
- E125 Washer
- E126 Setter gear
- E127 M1.5 x 4 Set screw
- E128 Follower
- E129 Rod
- E130 Firing plate
- E131 Spring
- E132 Firing plate
- E133 Spring

UNIVERSO SMPER
MIRSOFT



UNIVERSO SMPER
MIRSOFT



 **MAGPUL**®

When it comes to training and simulation, PTS is the real deal. Made to feel and function like in-theater tested Magpul components, airsoft-compatible PTS accessories offer the most authentic experience possible. Since 2007, PTS has been the world-wide exclusive licensee of Magpul making it ideally suited for realistic practice drills and scenario training. PTS accessories even make for a more lifelike sporting experience. Nothing else handles like PTS because nothing else is made like PTS, guaranteed.



WARNING!

User restricted to 18 years of age or older.

You must read through this Instruction Manual before operating this airsoft gun.

Always wear proper eye and face protection.

Obey all your local laws and regulations regarding ownership and usage of airsoft guns.

Misuse or careless use may result in serious injury or other consequences.

MADE IN HONG KONG

www.magpul-pts.com
sales@magpul-pts.com