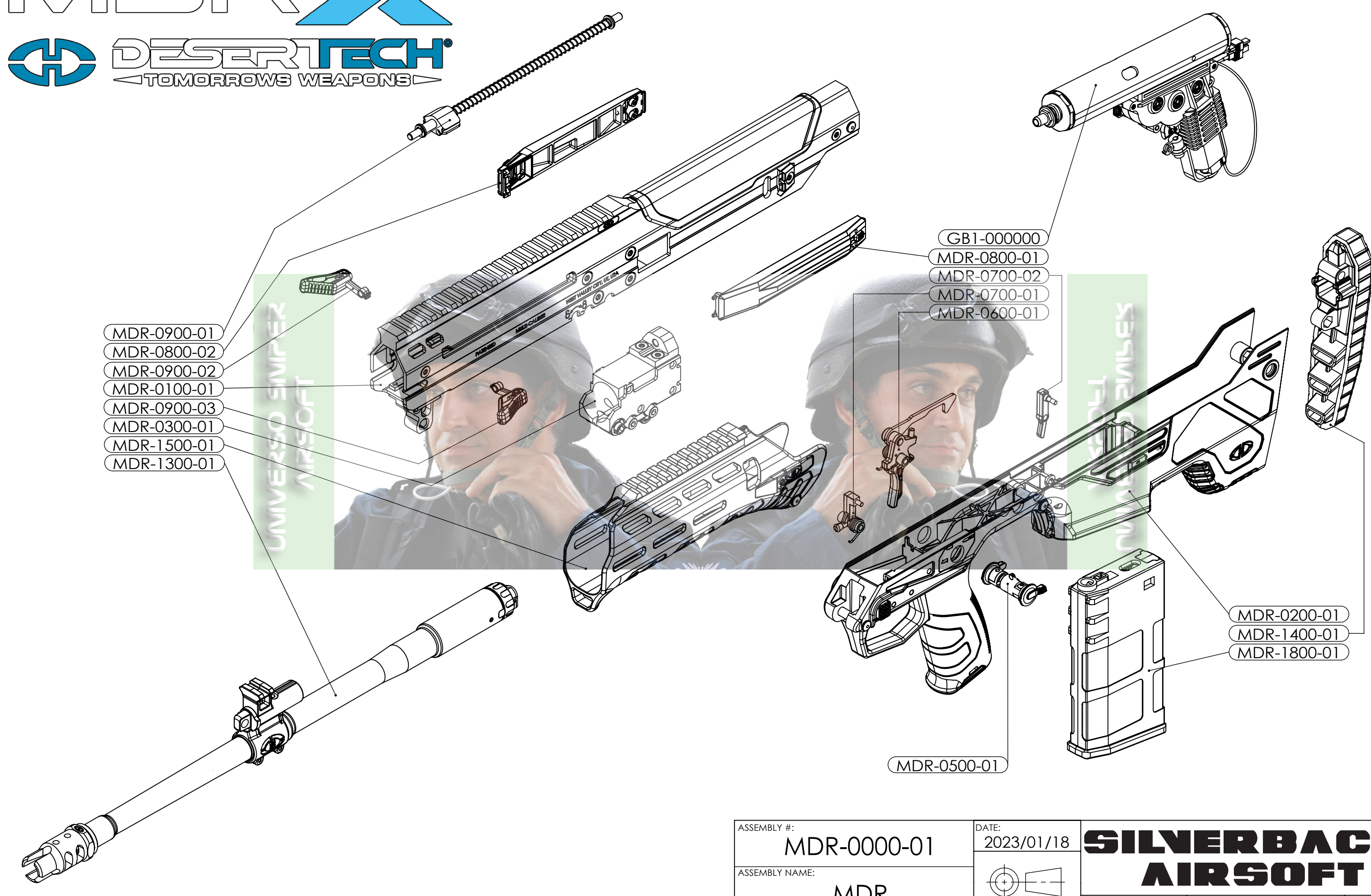


MDR X



DESERTTECH
TOMORROWS WEAPONS



UNIVERSO SIMPER
AIRSOFT

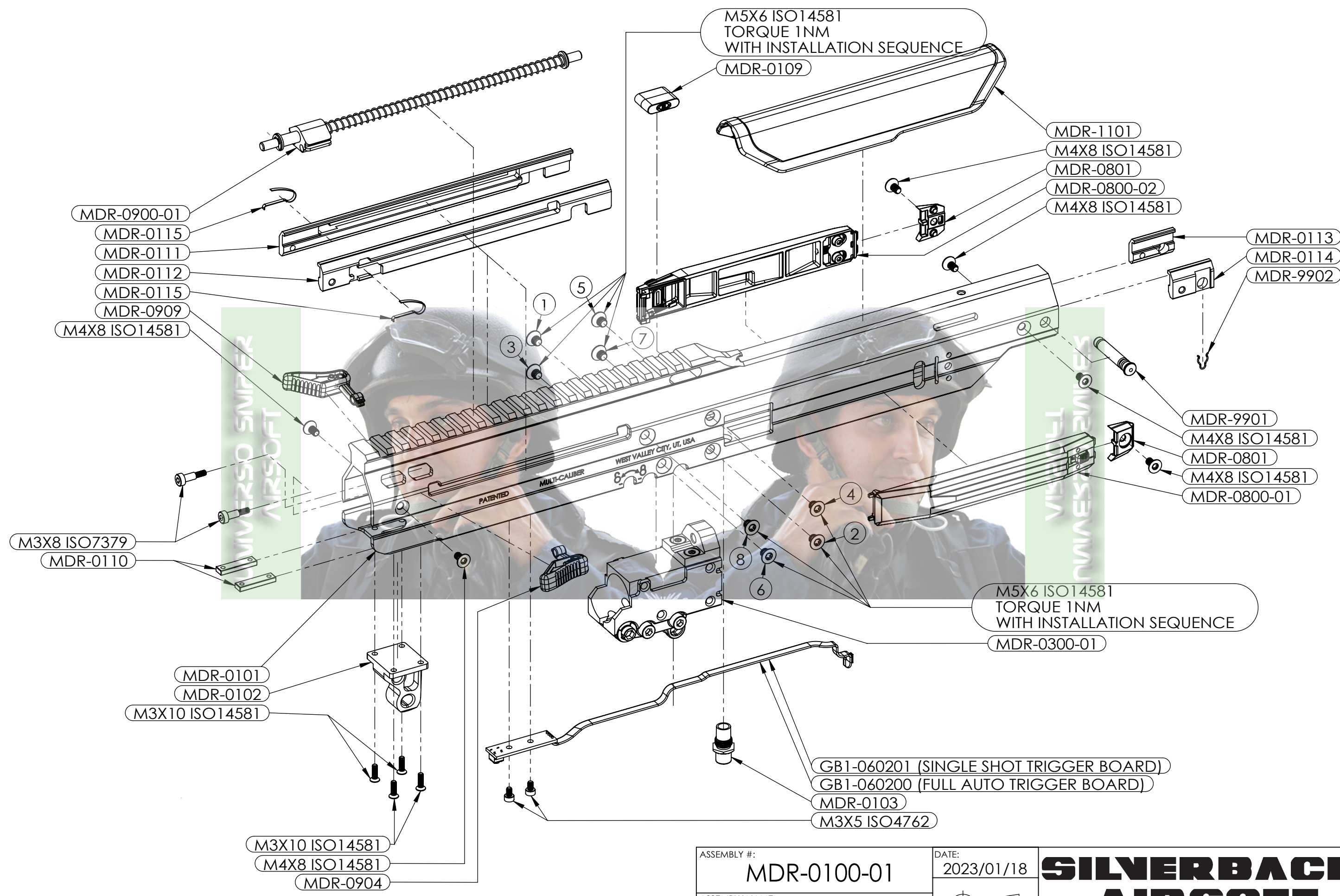
UNIVERSO SIMPER
AIRSOFT

ASSEMBLY #: MDR-0000-01	DATE: 2023/01/18	SILVERBACK AIRSOFT
ASSEMBLY NAME: MDR		

8 7 6 5 4 3 2 1

F
E
D
C
B
A

F
E
D
C
B
A



ASSEMBLY #: MDR-0100-01	DATE: 2023/01/18	SILVERBACK AIRSOFT
ASSEMBLY NAME: UPPER RECEIVER		
SCALE: 1:2		SHEET 2 OF 8
		A3

8 7 6 5 4 3 2 1

8 7 6 5 4 3 2 1

F

F

E

E

D

D

C

C

B

B

A

A

MDR-0500-01
MDR-0600
MDR-0700-01

MDR-0700-02
MDR-0705
MDR-0205

4X28 ISO8734-K5
MDR-9902
4X28 ISO8734-K5
2X18 ISO8734-K3
PLU 3-4-5F
2X1 O-RING

M5X30 DIN912TX
MDR-0709
MDR-0708

MDR-0505
M3X10 ISO7380
4X28 ISO8734-K5
MDR-0701

MDR-1400-01
M4X8 ISO14581
MDR-0204

MDR-9902
MDR-0201
MDR-9901

MDR-0703
MDR-0707
MDR-9901
MDR-0202

MDR-0702
M3X10 ISO7380
MDR-0505
M5 DIN557
4X28 ISO8734-K5
MDR-0401
M6X30 ISO4762
MDR-0400-01

MDR-0402a
MDR-0402b

ASSEMBLY #:
MDR-0200-01
ASSEMBLY NAME:
LOWER RECEIVER

DATE:
2023/01/18

**SILVERBACK
AIRSOFT**

SCALE:1:2 SHEET 3 OF 8 A3

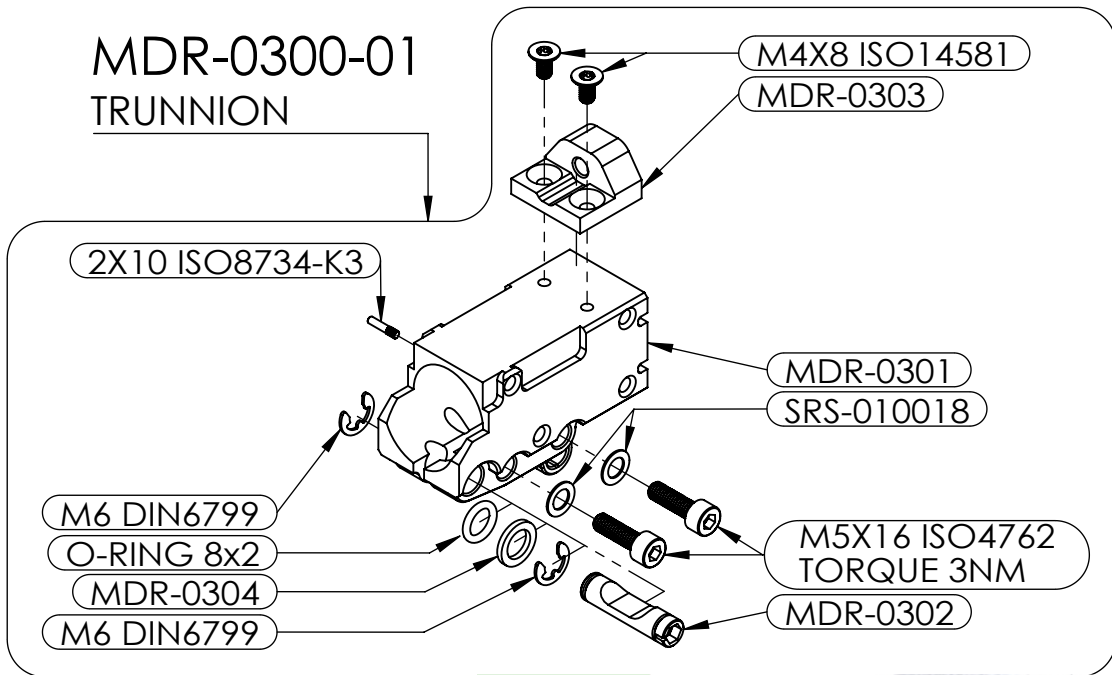
8 7 6 5 4 3 2 1

8 7 6 5 4 3 2 1

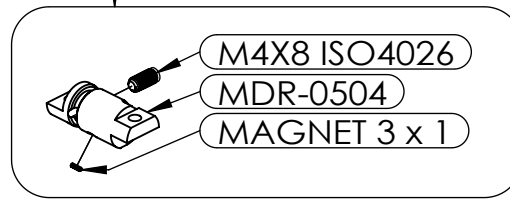
F
E
D
C
B
A

F
E
D
C
B
A

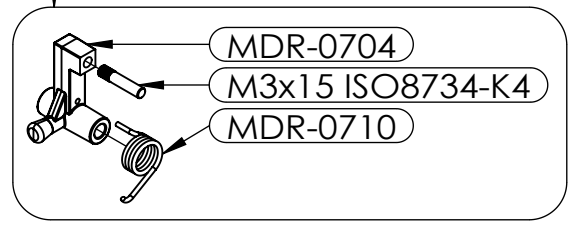
MDR-0300-01
TRUNNION



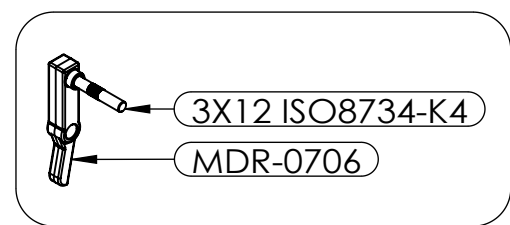
MDR-0500-01
SELECTOR



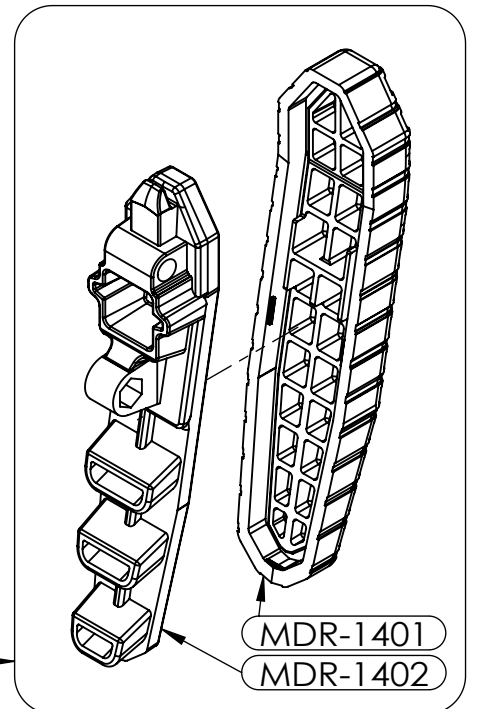
MDR-0700-01
MAG RELEASE (FRONT)



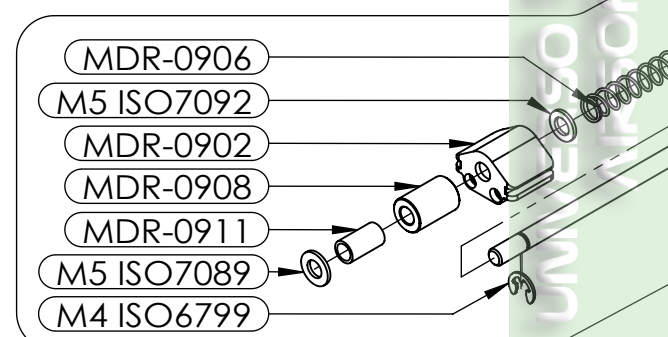
MDR-0700-02
MAG RELEASE (REAR)



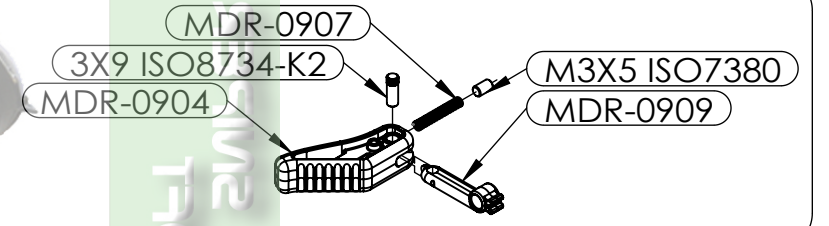
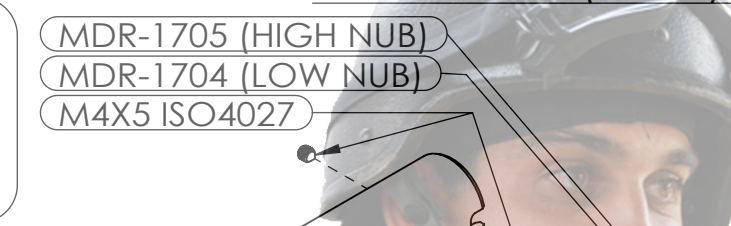
MDR-1400-01
BUTTPLATE



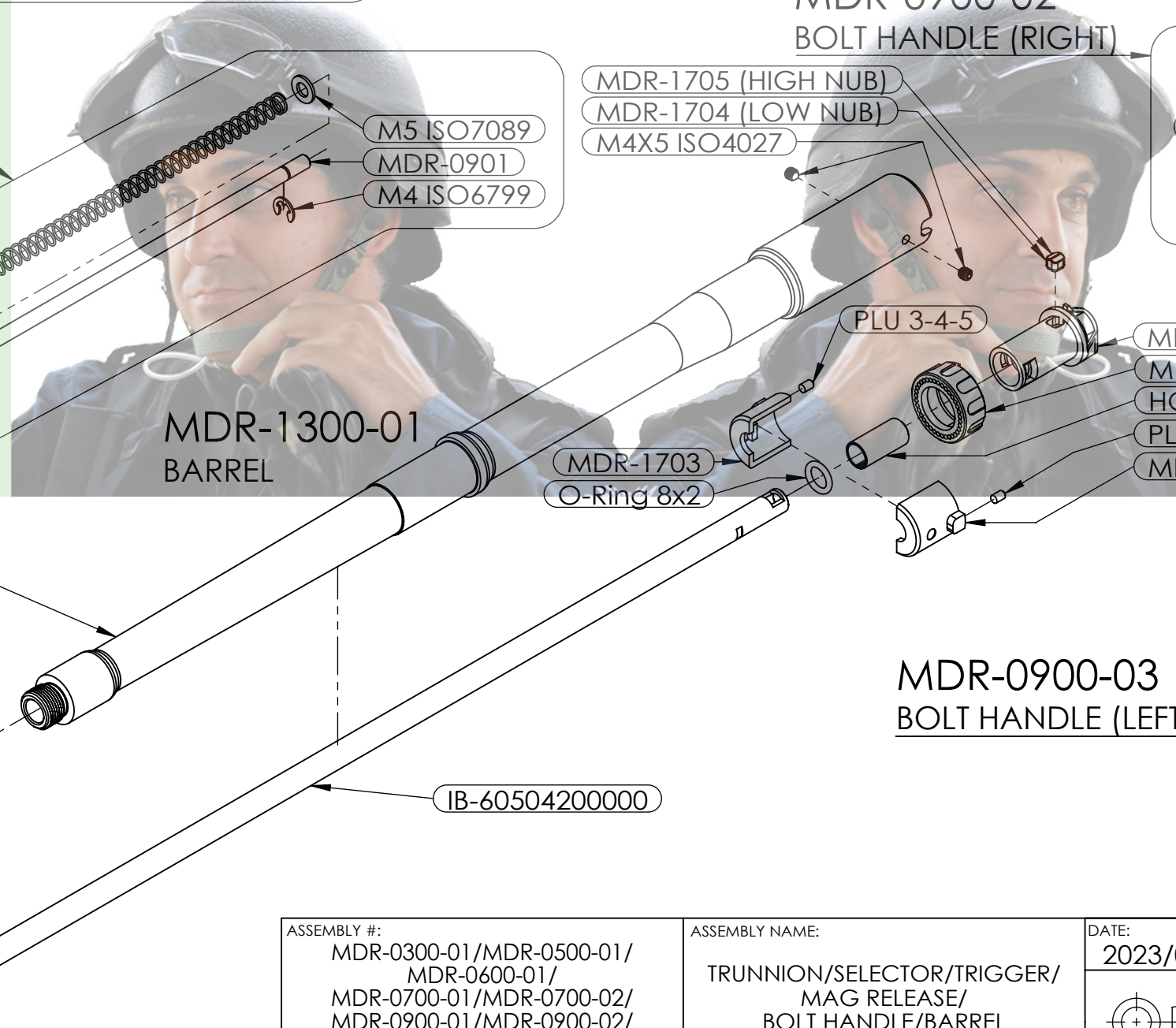
MDR-0900-01
BOLT HANDLE (MAIN BODY)



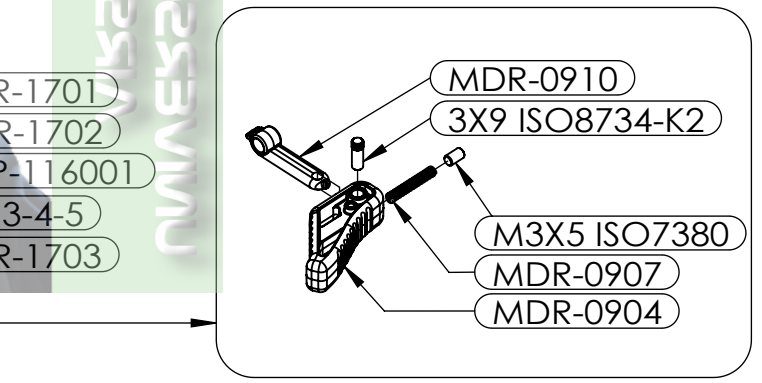
MDR-0900-02
BOLT HANDLE (RIGHT)



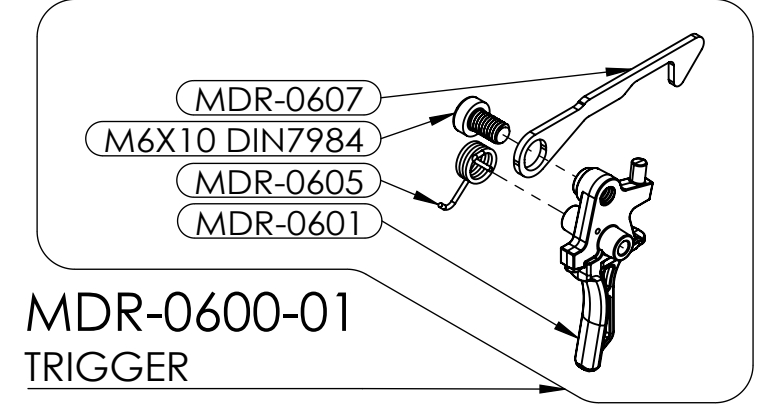
MDR-1300-01
BARREL



MDR-0900-03
BOLT HANDLE (LEFT)



MDR-0600-01
TRIGGER

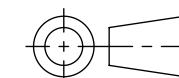


IB-60504200000

ASSEMBLY #:
MDR-0300-01/MDR-0500-01/
MDR-0600-01/
MDR-0700-01/MDR-0700-02/
MDR-0900-01/MDR-0900-02/
MDR-0900-03/MDR-1300-01/

ASSEMBLY NAME:
TRUNNION/SELECTOR/TRIGGER/
MAG RELEASE/
BOLT HANDLE/BARREL

DATE:
2023/01/18



SILVERBACK
AIRSOFT

SCALE:1:2

SHEET 4 OF 8

A3

8 7 6 5 4 3 2 1

8

6

5

4

3

2

1

F

F

E

E

D

D

C

C

B

B

A

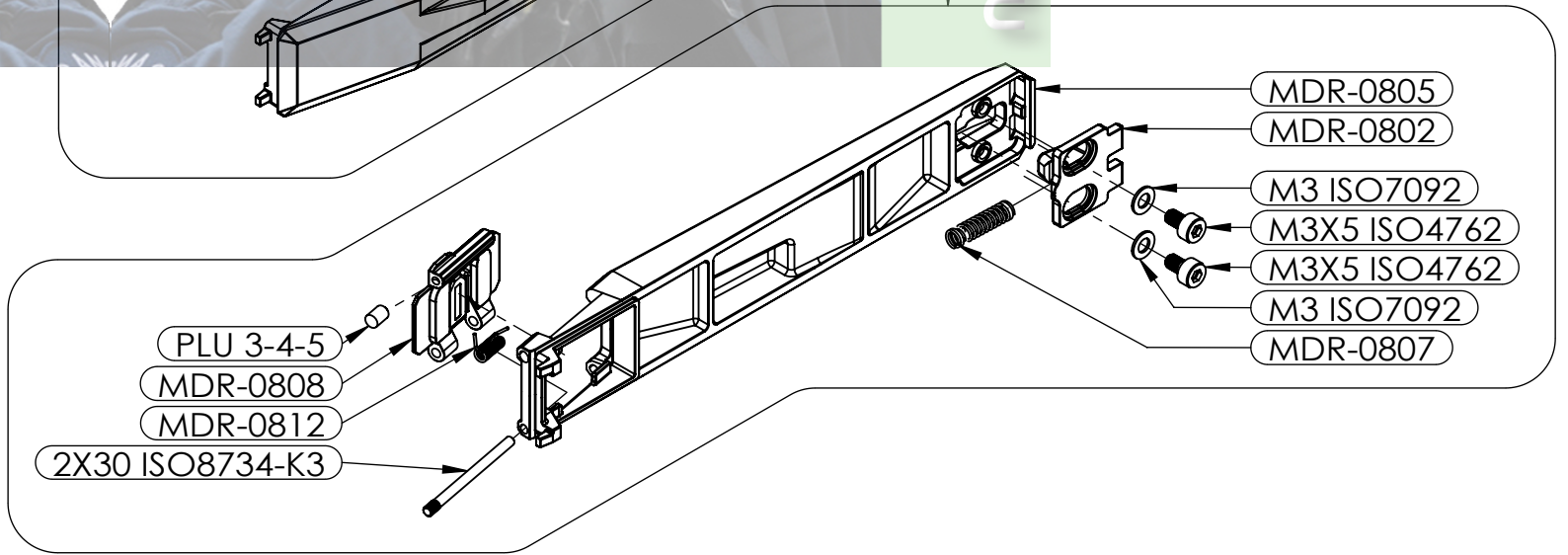
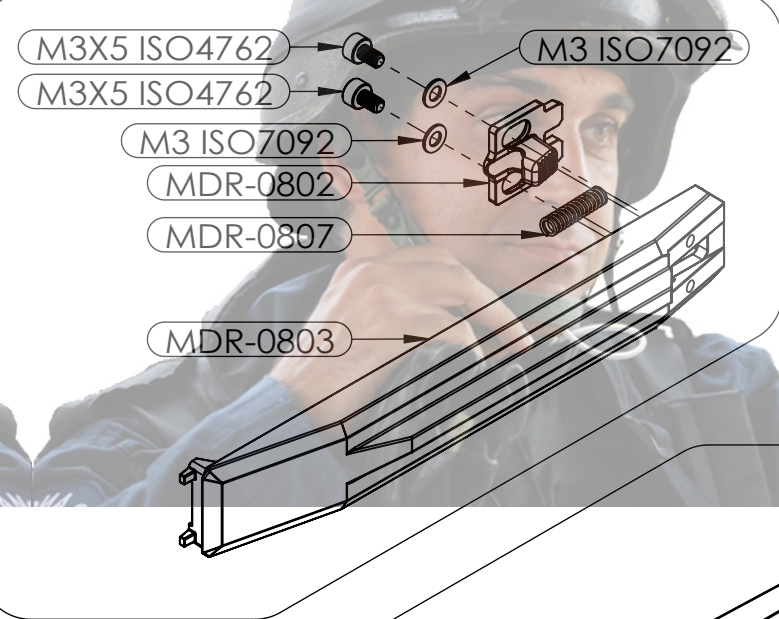
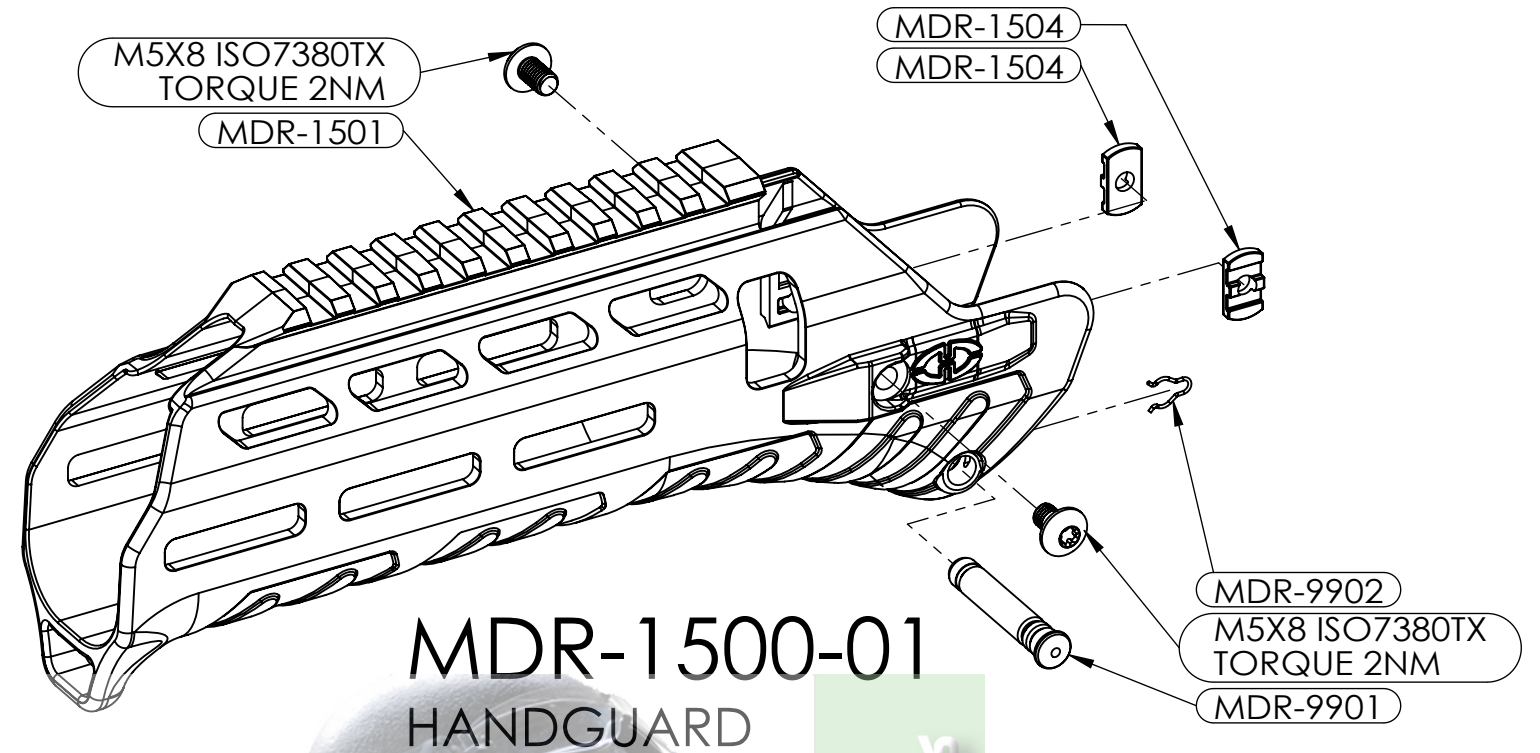
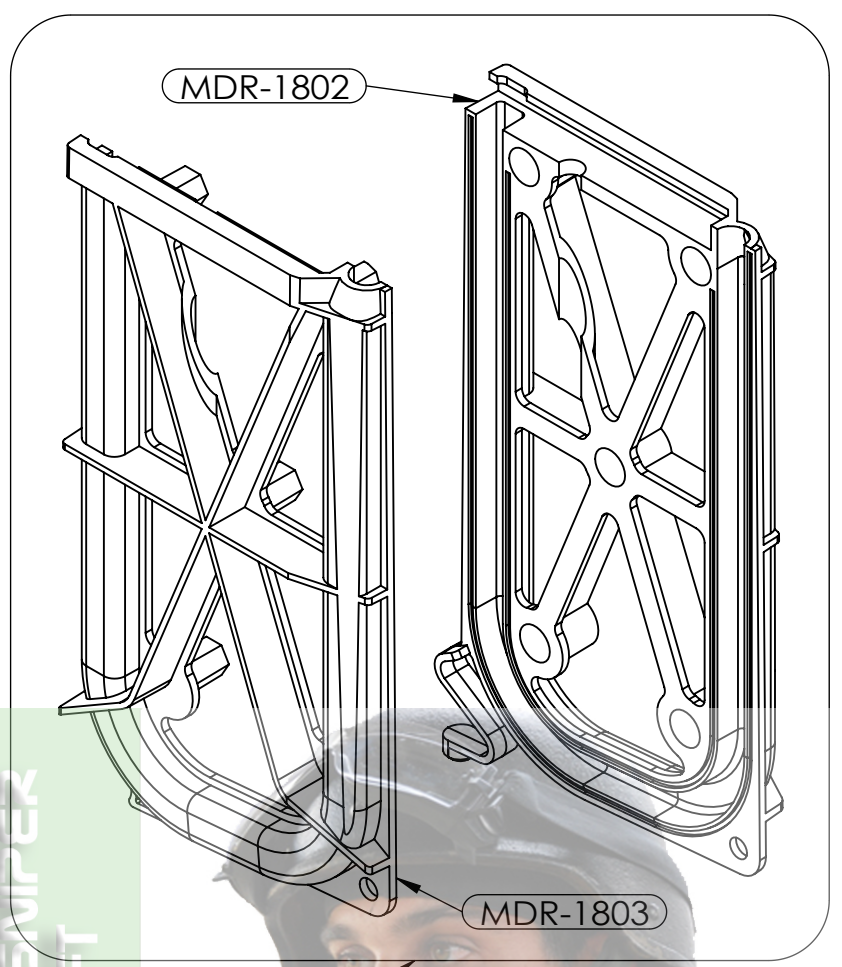
A

- MDR-1810
- MDR-1804
- MDR-1808
- MDR-1809

- MDR-1806
- MDR-1811
- MDR-1805

MDR-1800-02
7.62 MAGAZINE

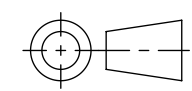
- MDR-1801
- MDR-1807



ASSEMBLY #:
MDR-0800-01/MDR-0800-02/
MDR-1500-01/MDR-1800-02

ASSEMBLY NAME:
EJECTION SYSTEM/
HANDGUARD/7.62 MAGAZINE

DATE:
2023/01/18



SILVERBACK
AIRSOFT

SCALE:2:3

SHEET 5 OF 8

A3

8

7

6

5

4

3

2

1

8 7 6 5 4 3 2 1

F

F

E

E

D

D

C

C

B

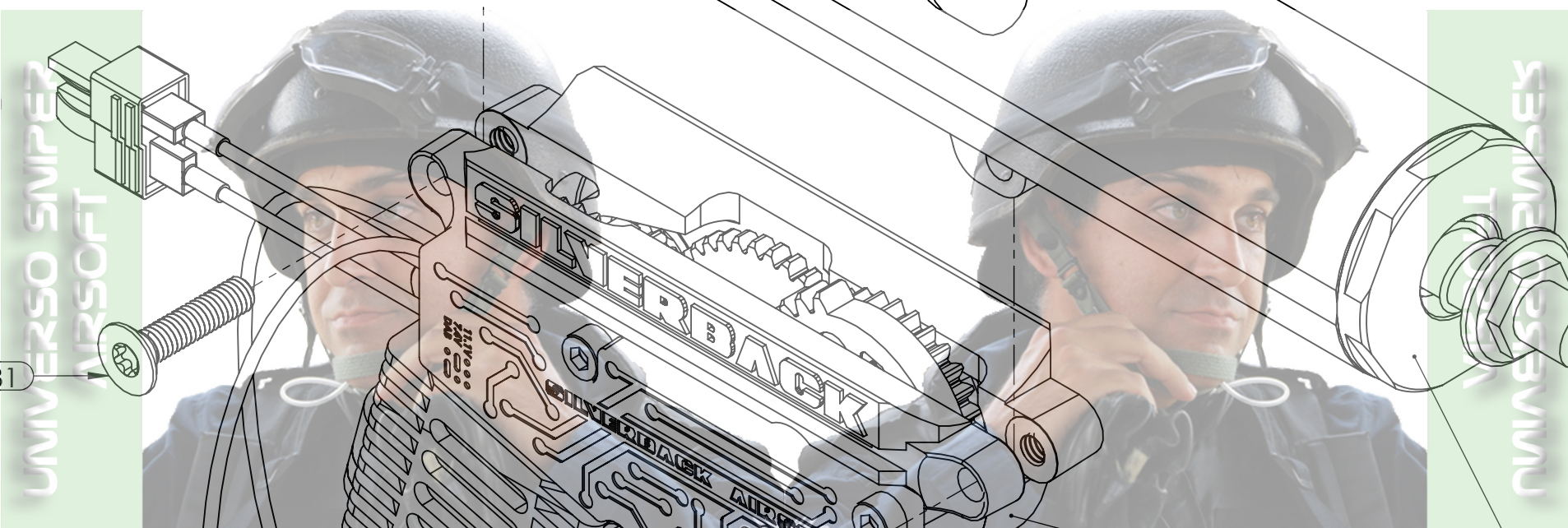
B

A

A

M4X18 ISO14581

GB1-000200
GB1-000100
M4X18 ISO14581



ASSEMBLY #:
GB1-000000
ASSEMBLY NAME:
MDR GEARBOX

DATE:
2023/01/18

**SILVERBACK
AIRSOFT**

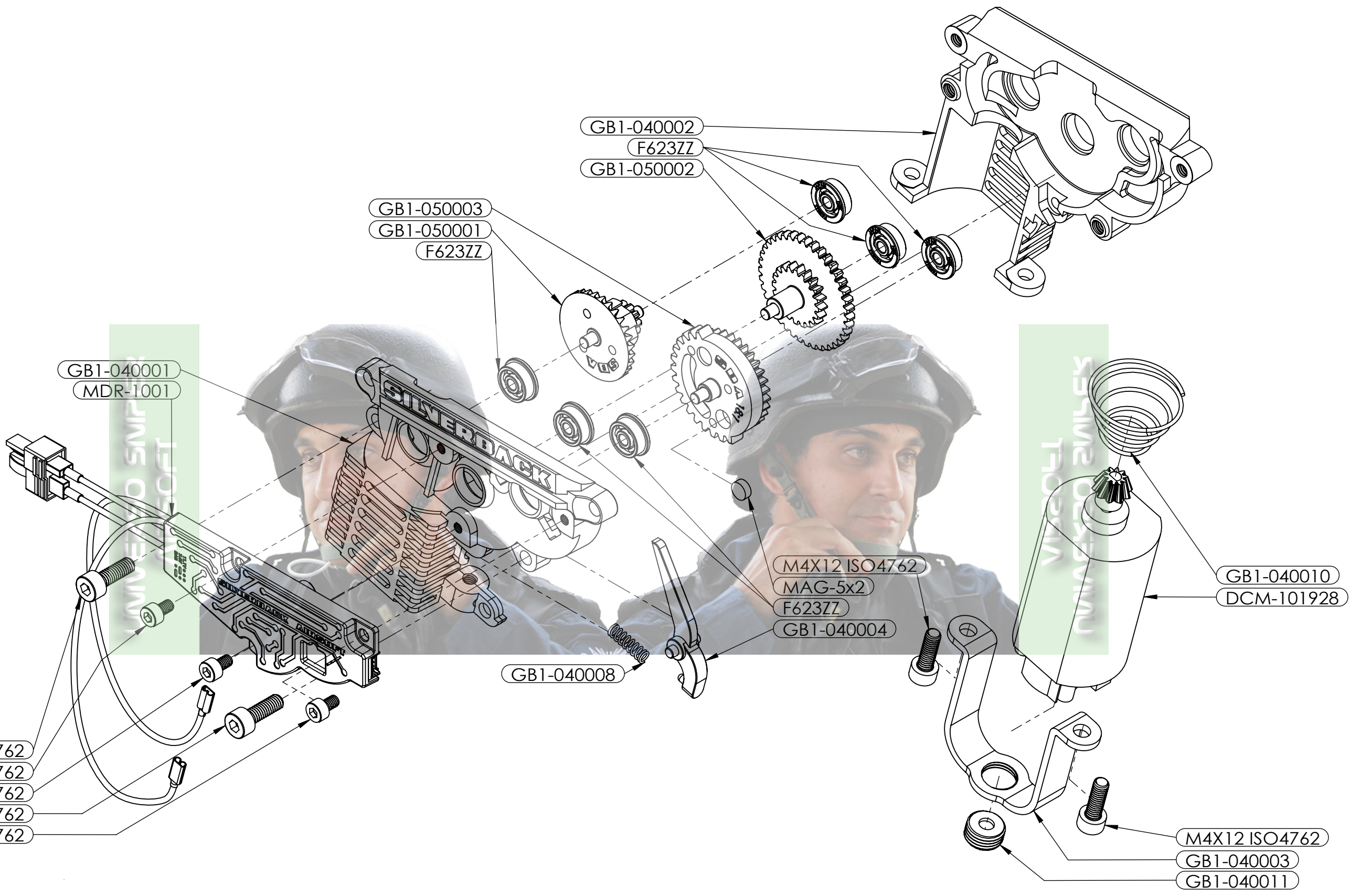
SCALE:3:2 | SHEET 6 OF 8 | A3

8 7 6 5 4 3 2 1

8 7 6 5 4 3 2 1

F
E
D
C
B
A

F
E
D
C
B
A



ASSEMBLY #:
GB1-000100

ASSEMBLY NAME:
LOWER GEARBOX

DATE:
2023/01/18

**SILVERBACK
AIRSOFT**

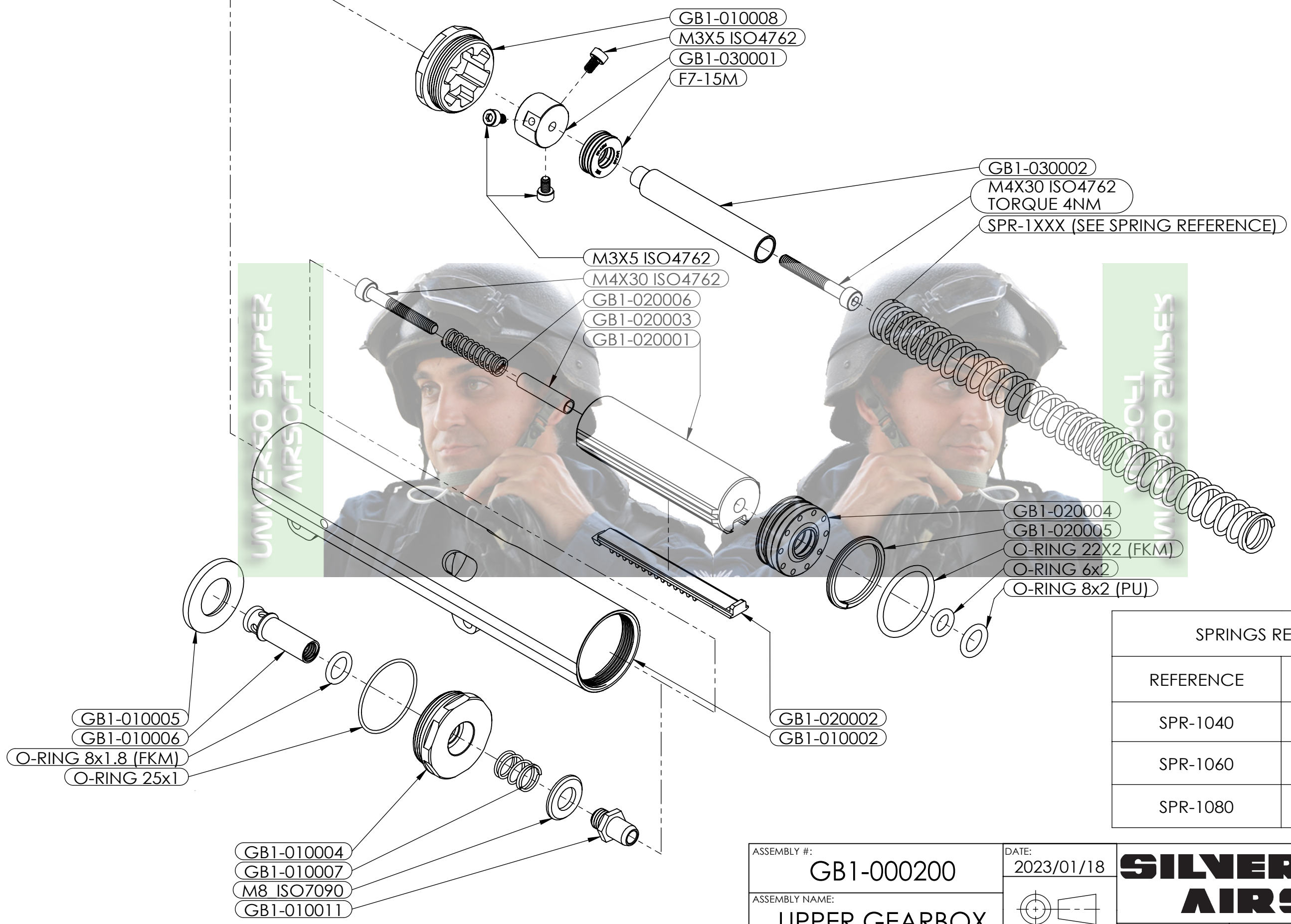
SCALE:1:1 | SHEET 7 OF 8 | A3

8 7 6 5 4 3 2 1

8 7 6 5 4 3 2 1

F
E
D
C
B
A

F
E
D
C
B
A



UNIVERSO SNIPER AIRSOFT

UNIVERSO SNIPER AIRSOFT

SPRINGS REFERENCE	
REFERENCE	COUNTRY
SPR-1040	JAPAN, ITALY, IRELAND
SPR-1060	REST OF EUROPE
SPR-1080	EVERYWHERE ELSE

ASSEMBLY #:
GB1-000200

ASSEMBLY NAME:
UPPER GEARBOX

DATE:
2023/01/18

SILVERBACK AIRSOFT

SCALE:4:5 | SHEET 8 OF 8 | A3

8 7 6 5 4 3 2 1