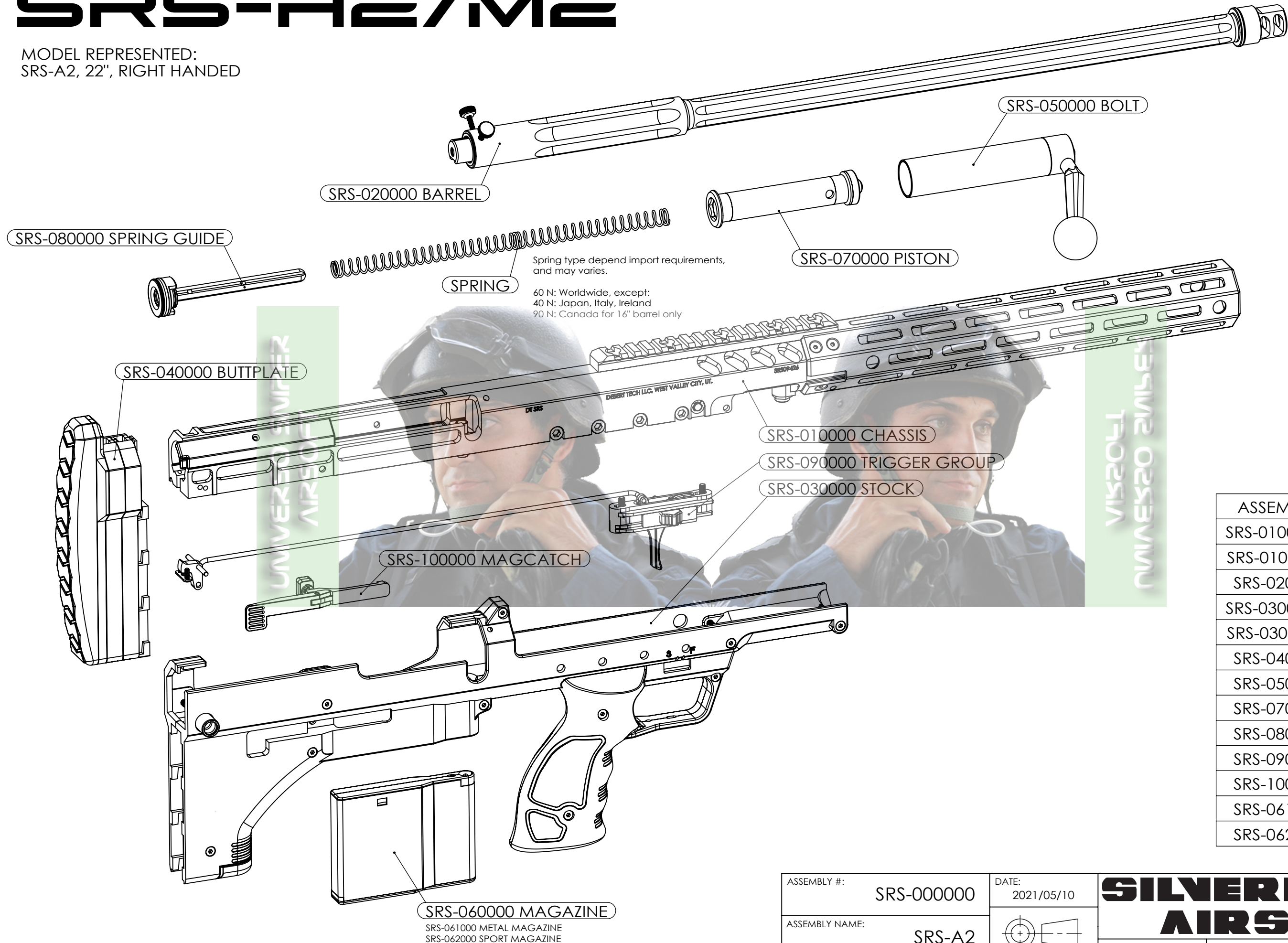


SRS-A2/M2

MODEL REPRESENTED:
SRS-A2, 22", RIGHT HANDED



ASSEMBLY	SHEET
SRS-010000-R	2
SRS-010000-L	3
SRS-020000	4
SRS-030000-R	5
SRS-030000-L	6
SRS-040000	7
SRS-050000	7
SRS-070000	7
SRS-080000	7
SRS-090000	8
SRS-100000	8
SRS-061000	9
SRS-062000	9

ASSEMBLY #:	SRS-000000	DATE:	2021/05/10
ASSEMBLY NAME:	SRS-A2		

SILVERBACK AIRSOFT

SCALE:2:5 SHEET 1 OF 9 A3

8 7 6 5 4 3 2 1

F

F

E

E

D

D

C

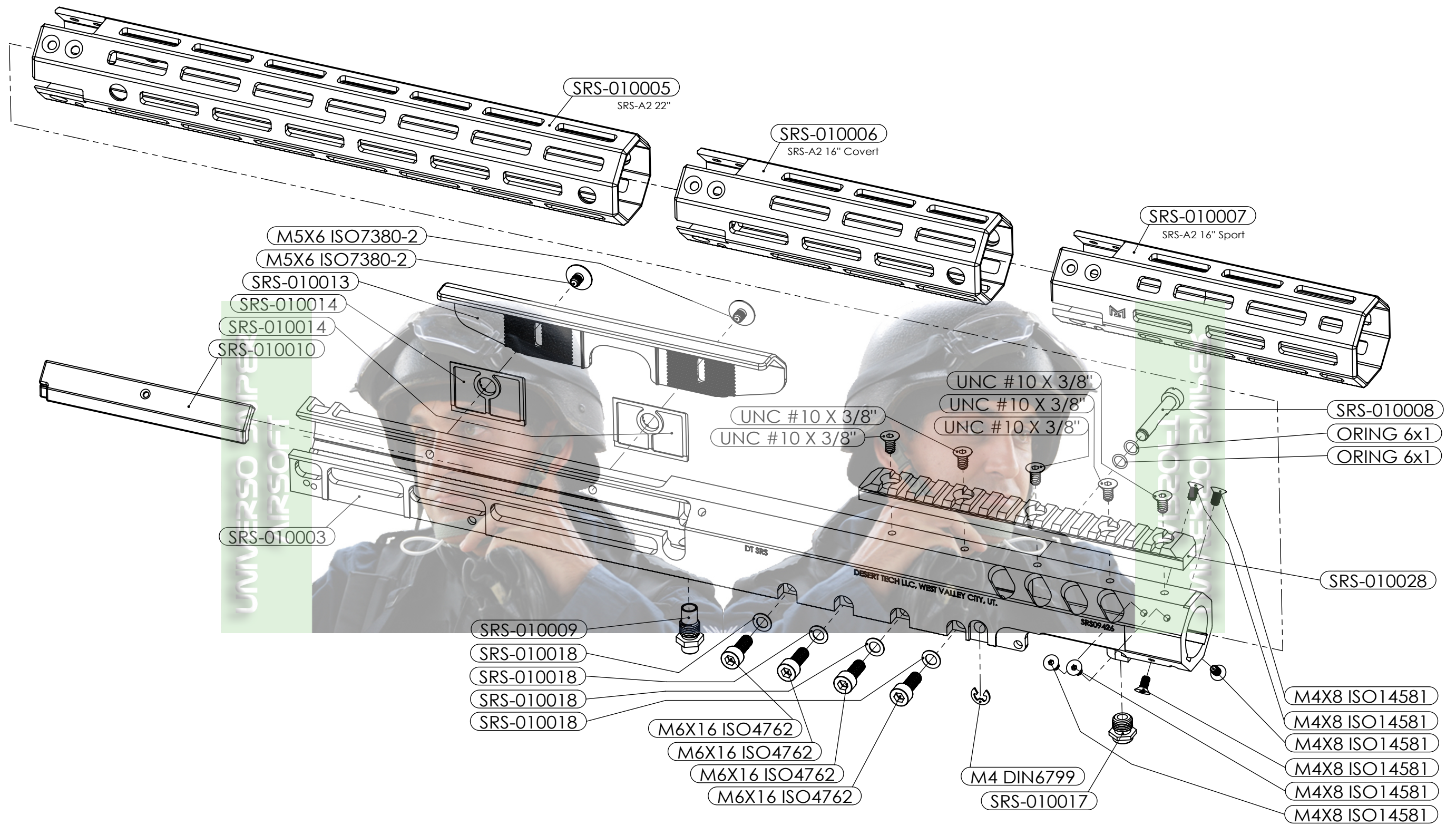
C

B

B

A

A



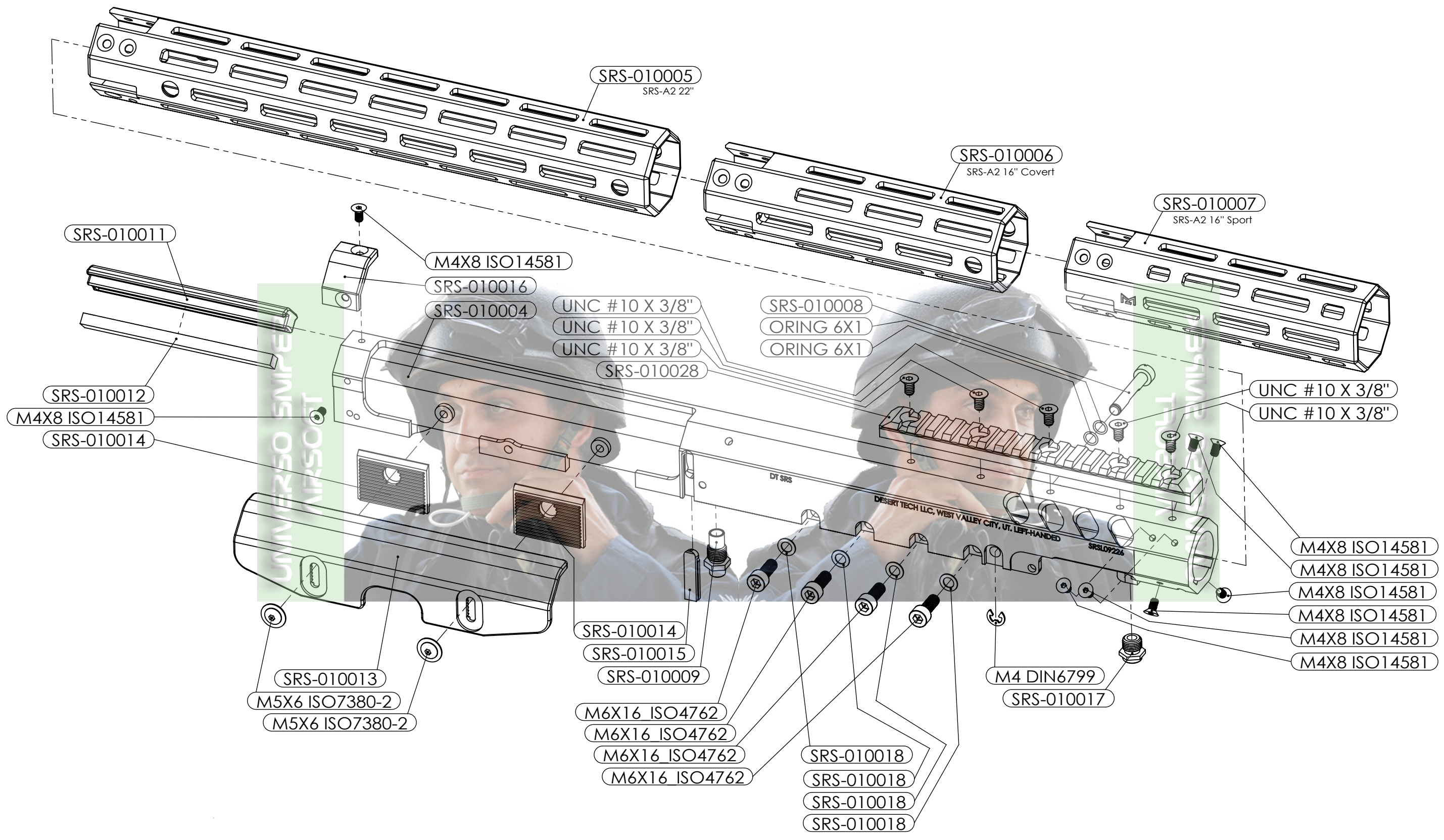
ASSEMBLY #: SRS-010000-R	DATE: 2021/05/10	SILVERBACK AIRSOFT
ASSEMBLY NAME: CHASSIS (RIGHT HANDED)		
SCALE:1:2		SHEET 2 OF 9
		A3

8 7 6 5 4 3 2 1

8 7 6 5 4 3 2 1

F
E
D
C
B
A

F
E
D
C
B
A



ASSEMBLY #: SRS-010000-L	DATE: 2021/05/10	SILVERBACK AIRSOFT
ASSEMBLY NAME: CHASSIS (LEFT HANDED)		
		SHEET 3 OF 9
		A3

8 7 6 5 4 3 2 1

8 7 6 5 4 3 2 1

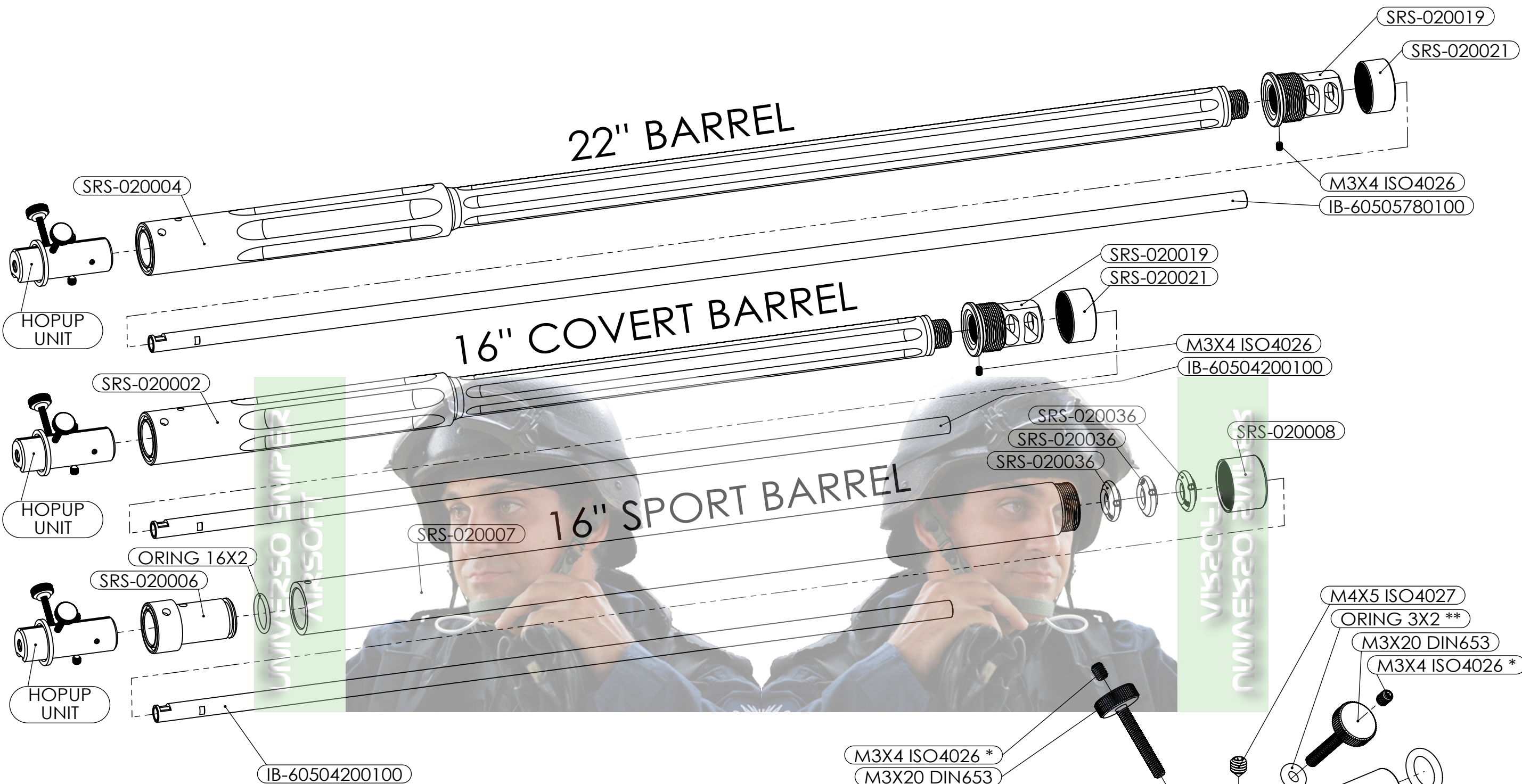
F
E
D
C
B
A

F
E
D
C
B
A

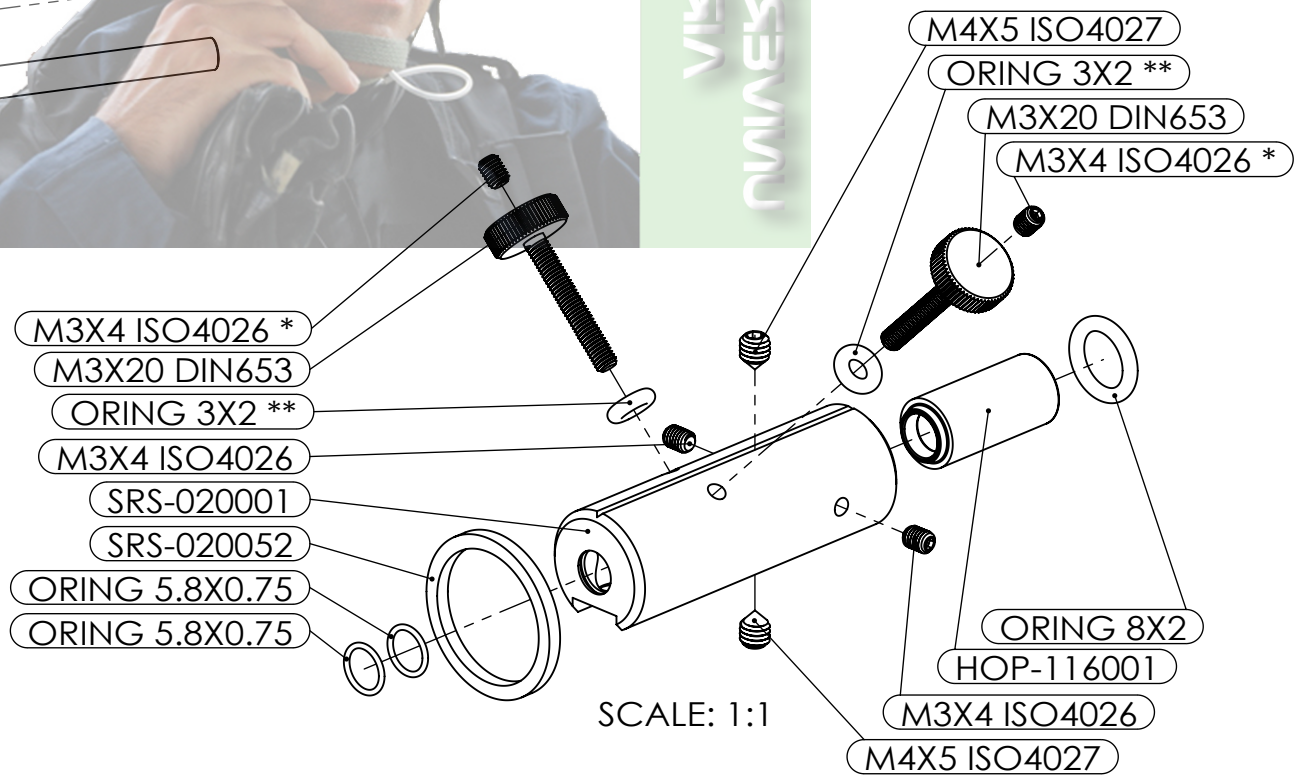
22" BARREL

16" COVERT BARREL

16" SPORT BARREL



HOPUP UNIT

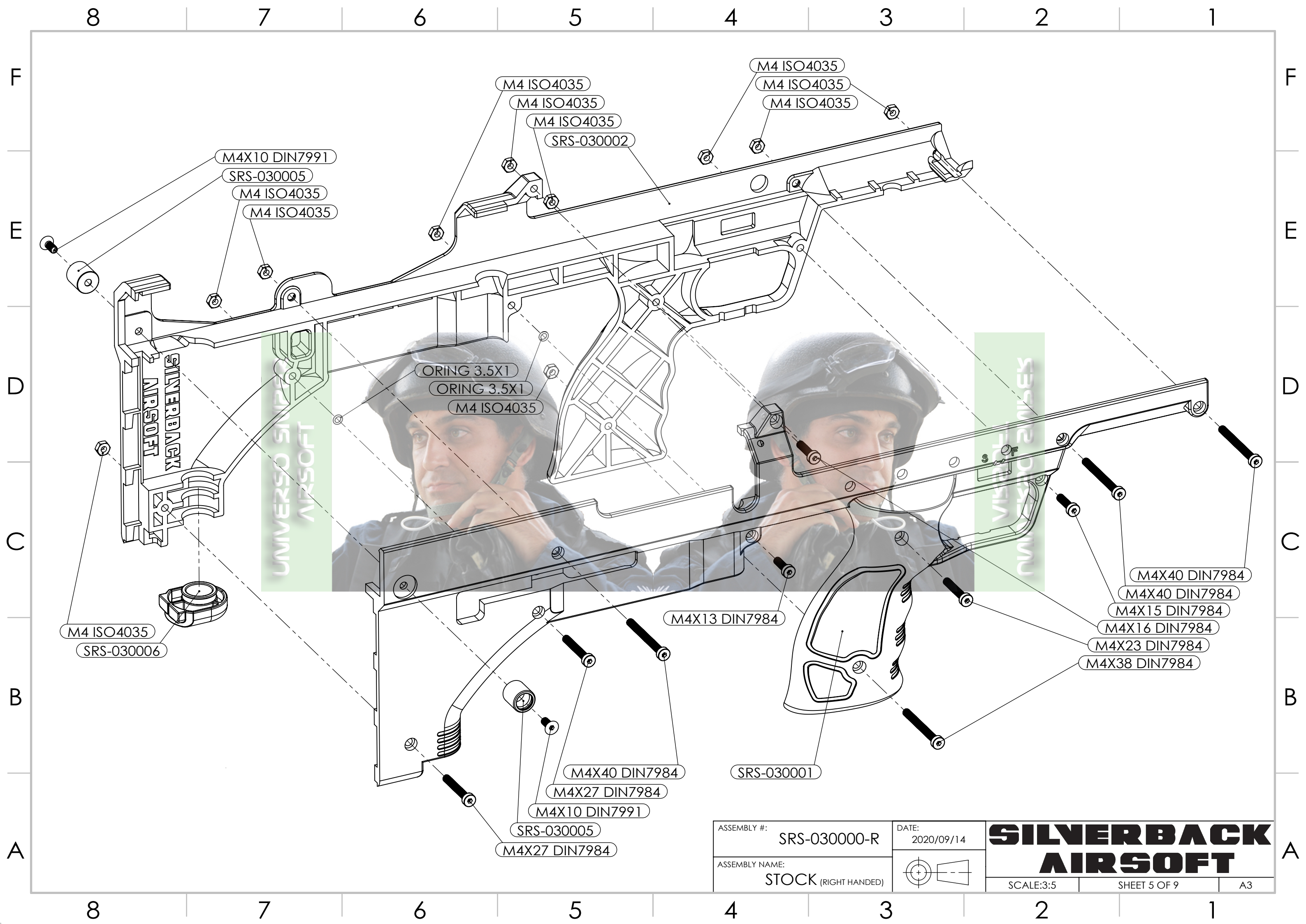


(*) M3X4 ISO4026 screws can be used instead of M3X20 DIN653 + Orings. Setscrews allows barrel swap without losing hopup adjustments, but require 1.5 mm Allen screwdriver for adjustments.

(**) This oring is acting a setting locker. If it limited the adjustment range too much, you can replace it by the 3x1.5 Oring provided with your SRS in the accessory bag.

ASSEMBLY #:	SRS-020000	DATE:	2020/09/14	SILVERBACK AIRSOFT
ASSEMBLY NAME:	BARRELS 22" / 16" Covert / 16" Sport			
		SCALE: 1:2	SHEET 4 OF 9	A3

8 7 6 5 4 3 2 1

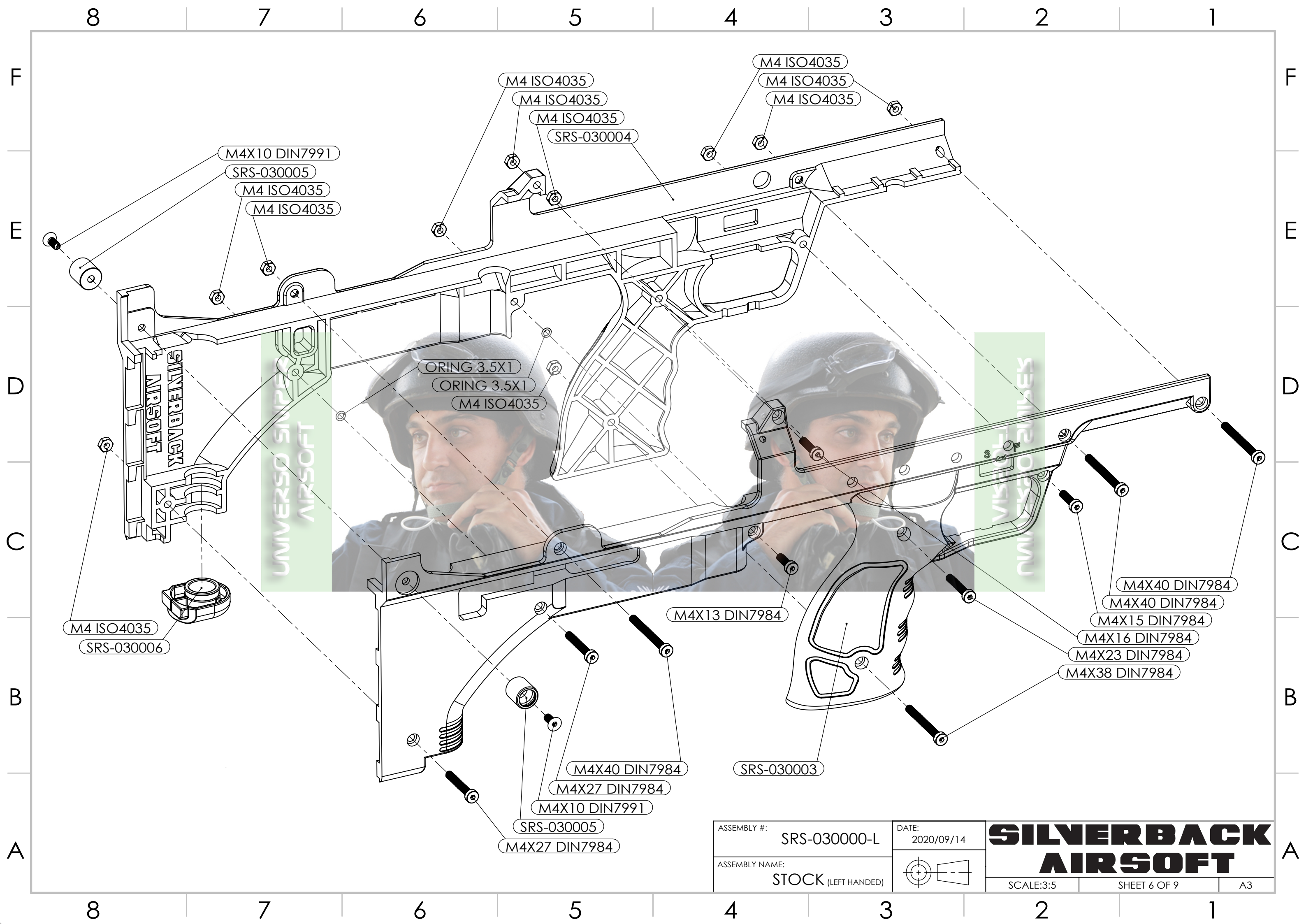


ASSEMBLY #:	SRS-030000-R
ASSEMBLY NAME:	STOCK (RIGHT HANDED)

DATE:	2020/09/14

SILVERBACK AIRSOFT

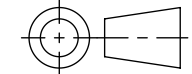
SCALE:3:5 SHEET 5 OF 9 A3



ASSEMBLY #: SRS-030000-L

DATE: 2020/09/14

ASSEMBLY NAME: STOCK (LEFT HANDED)



SILVERBACK AIRSOFT

SCALE:3:5

SHEET 6 OF 9

A3

8

7

6

5

4

3

2

1

SRS-040001

SRS-040002

SRS-040004

SRS-040003

SRS-080008

ORING 22X2

SRS-080001

M9 ISO10673 For Sport models only

F9-17M Except for Sport models

SRS-080000 SPRING GUIDE

SRS-070001

SRS-070002

SRS-070003

SRS-070004

SRS-070000 PISTON

SRS-050000 BOLT

ORING 23X1

SRS-050003

For left handed models SRS-050002

For right handed models SRS-050001

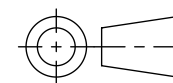
SRS-050004

SRS-040000 BUTTPLATE

ASSEMBLY #: SRS-040000 / SRS-050000
SRS-070000 / SRS-080000

DATE: 2021/03/29

ASSEMBLY NAME: BUTTPLATE / BOLT
PISTON / SPRING GUIDE



SILVERBACK AIRSOFT

SCALE:1:1

SHEET 7 OF 9

A3

8

7

6

5

4

3

2

1

A

A

B

B

C

C

D

D

E

E

F

F



8 7 6 5 4 3 2 1

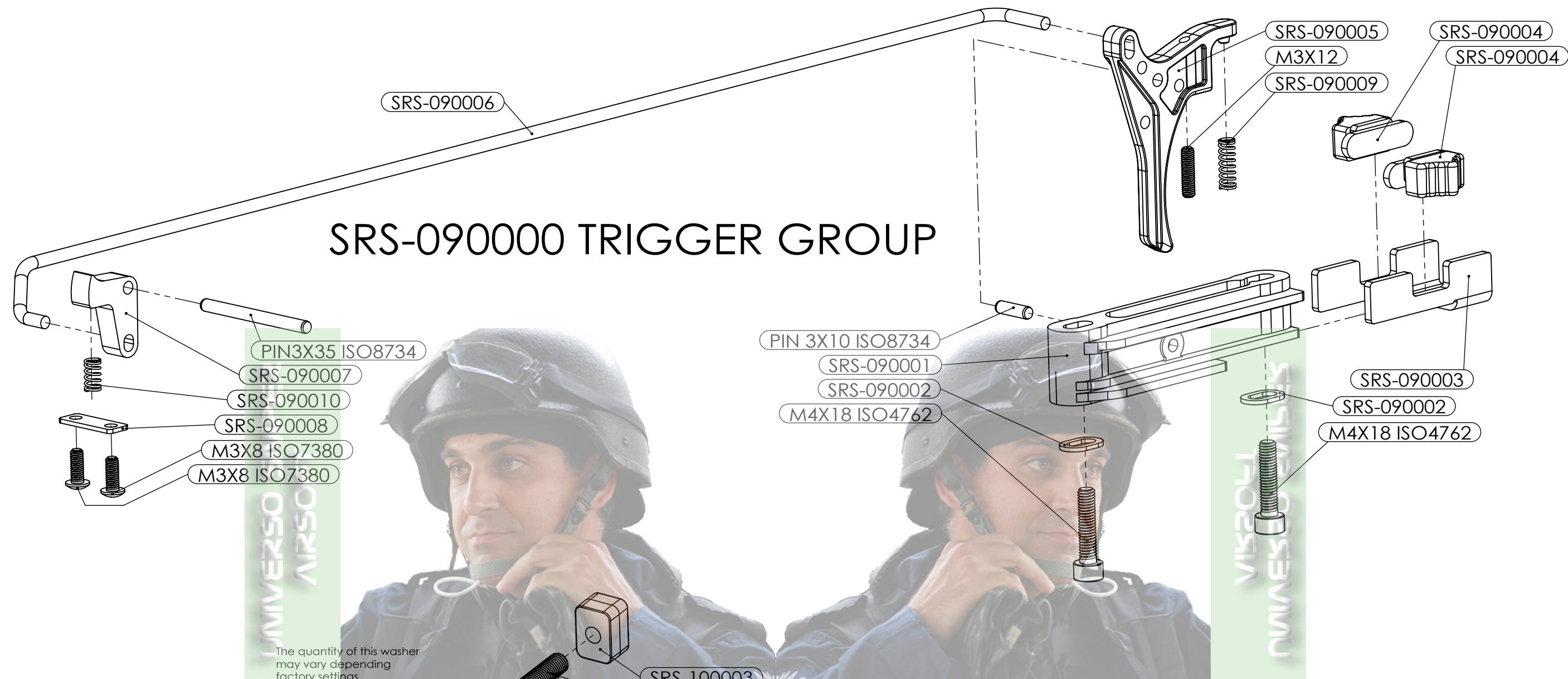
F

F

E

E

SRS-090000 TRIGGER GROUP



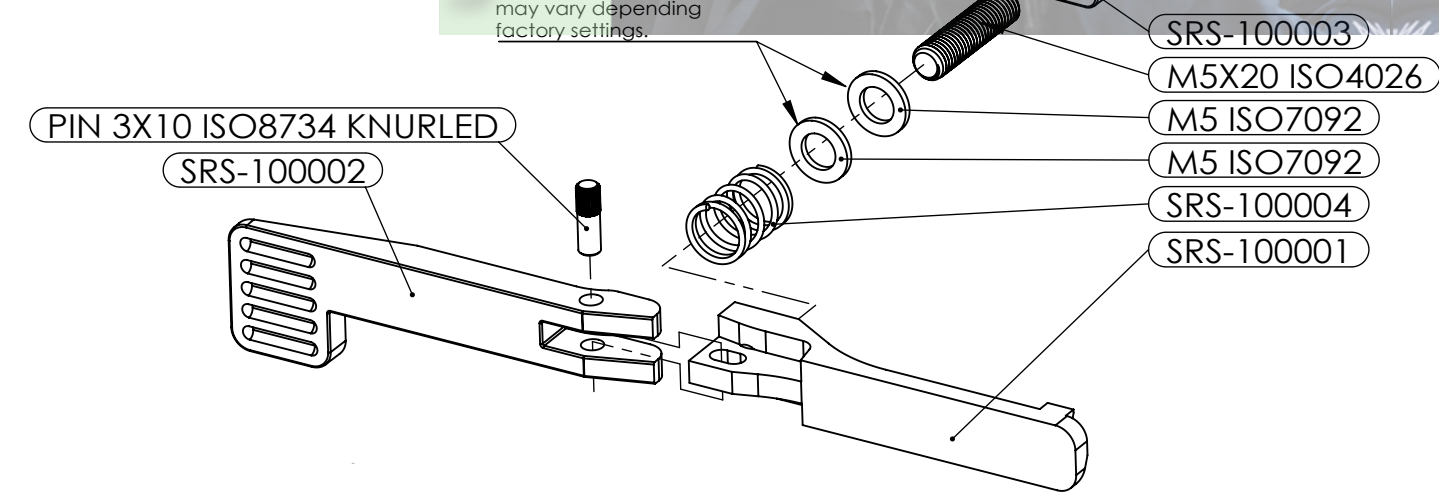
D

D

C

C

The quantity of this washer may vary depending factory settings.



SRS-100000 MAGCATCH

B

B

A

A

ASSEMBLY #: SRS-090000 / SRS-100000	DATE: 2020/09/14	SILVERBACK AIRSOFT
ASSEMBLY NAME: TRIGGER GROUP / MAGCATCH		
SCALE:1:1		SHEET 8 OF 9
		A3

8 7 6 5 4 3 2 1

8 7 6 5 4 3 2 1

F

F

E

E

D

D

C

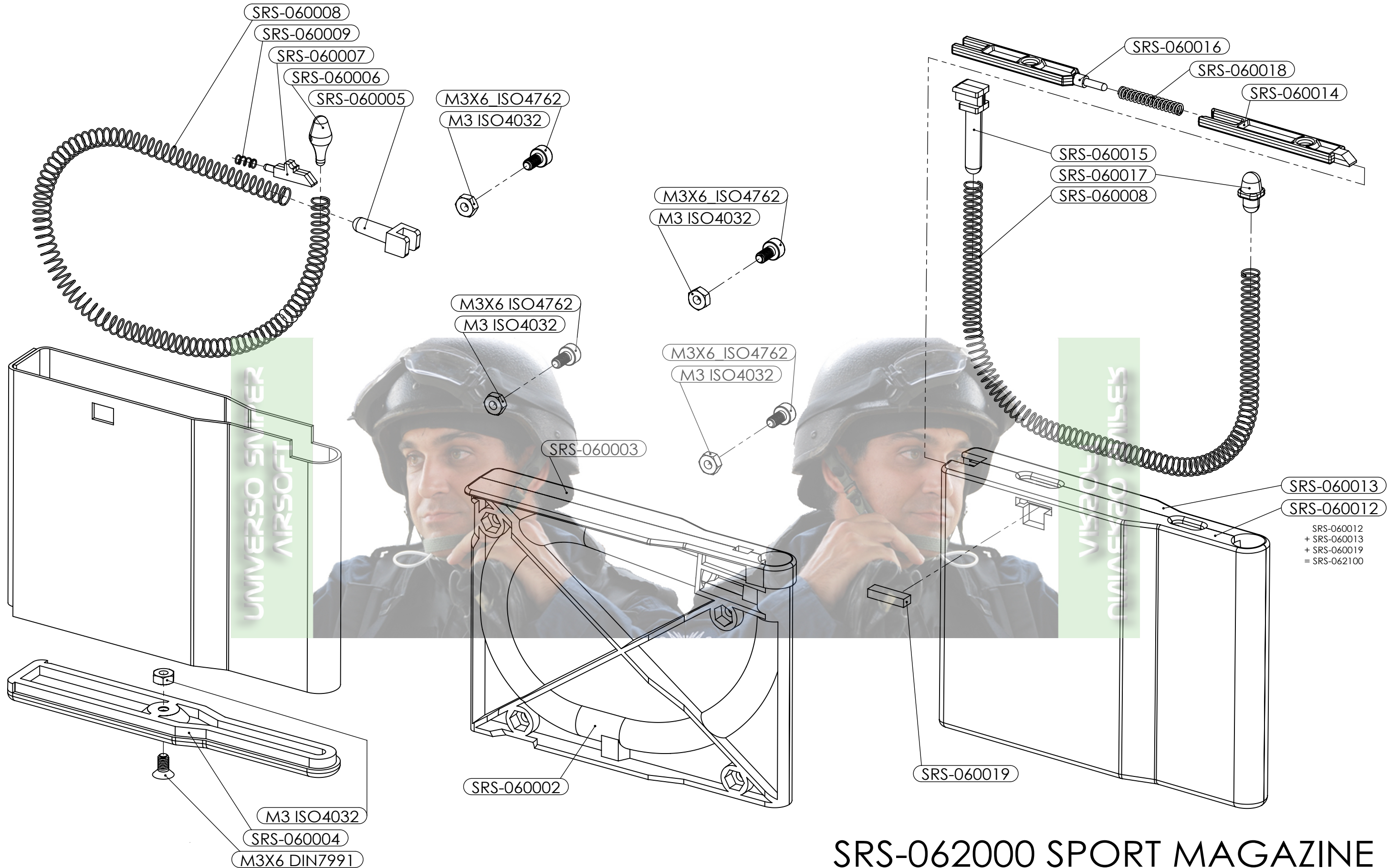
C

B

B

A

A



SRS-061000 METAL MAGAZINE

SRS-062000 SPORT MAGAZINE

ASSEMBLY #: SRS-061000 / SRS-062000	DATE: 2020/09/14	SILVERBACK AIRSOFT
ASSEMBLY NAME: METAL MAG. / SPORT MAG.		
SCALE:1:1		SHEET 9 OF 9
		A3

8 7 6 5 4 3 2 1