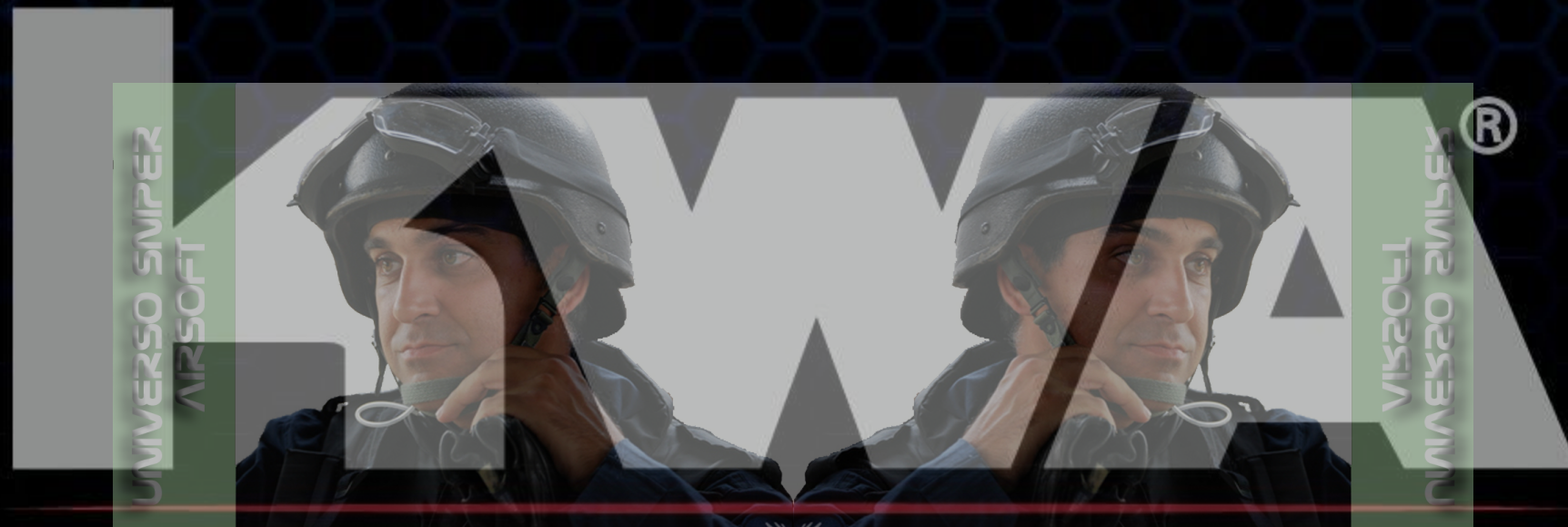


2016



PERFORMANCE BUILT

# KWA<sup>®</sup>

PERFORMANCE BUILT

## COMPANY

KWA Performance Industries, Inc. products are built to create the most realistic experience for airsoft enthusiasts and law enforcement professionals alike.

Our extensive manufacturing history has created technologies that redefined the industry and advanced the development of airsoft into a non-lethal training alternative for military and law enforcement agencies around the world.

UNIVERSO SIMPER  
AIRSOFT

UNIVERSO SIMPER  
AIRSOFT

For more information on our performance built and expertly-crafted products, please visit [KWAUSA.com](http://KWAUSA.com).

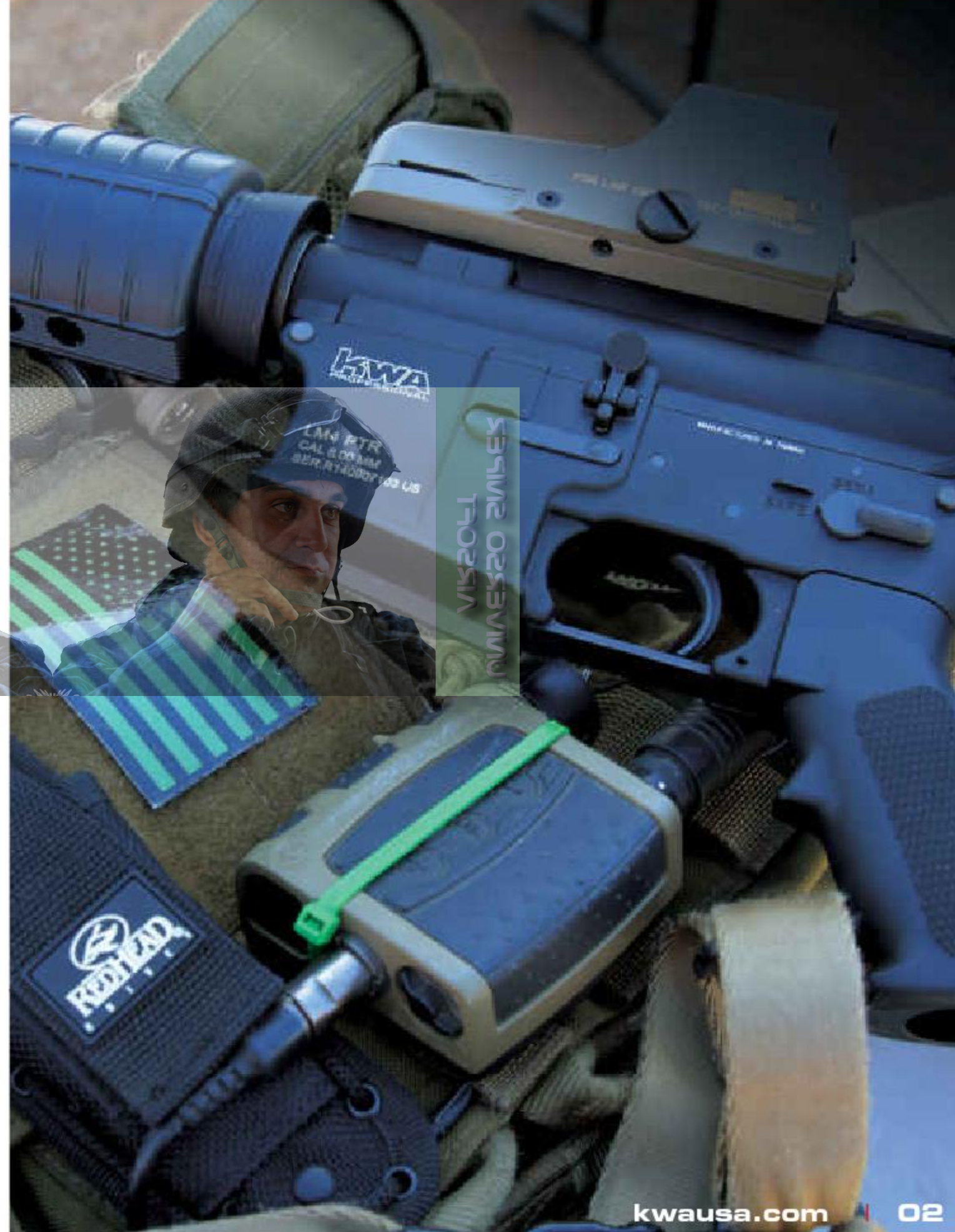
# Gas Blowback Rifles

The **KWA Gas Blowback Rifle [GBBR]** is designed to emulate the actual weight, feel, and function of the real AR platform. KWA GBBR's are the most realistic, efficient, and reliable Gas Blowback Rifles on the market.

Each model, like its firearm counterpart, is Mil-Spec in dimension, allowing customization and compatibility with individual gear and accessories. Realistic fire controls, recoil action, and safety features are recreated for a more dynamic training experience without the risk or cost associated with live fire training. The limitation of 180° shooting can be opened up to a full 360° non-lethal training application.

KWA GBBRs are independent of duty firearms, minimizing legal and safety constraints typically associated with converting firearms for training. The KWA GBBR Series utilizes the Force Velocity [FV] Gas System and are ATF approved for sale in the United States.

Based on the successful NS2 Gas System, the **Force Velocity [FV] Gas Engine** is the next advancement of KWA gas technology and is featured in our GBBR and select SMG platforms. The FV's newly designed internal cylinder return spring improves operational reliability while maintaining a consistent cycle rate. The reinforced piston is constructed from an advanced composite material that delivers superior gas efficiency and performance in a wide range of climates.



# LM4 KR Series

## SERIES FEATURES:

- Includes 2" Polymer Rail Segments [2]
- Functional Bolt Catch
- Adjustable / Removable Front and Rear Sights
- 6 Position Collapsible Stock w/QD Sling Mount
- Semi and Full Auto Select Fire
- Type 3 Adjustable Hop-Up
- Gas Operated Recoil Blowback
- Full Metal Alloy Receivers
- Realistic Construction and Field Stripping



Includes 2" Polymer Rail Segments [2]



6 Position Collapsible Stock w/QD Sling Mount



Free Float KeyMod Rail System

## LM4 KR5

### SPECIFICATIONS:

Length [Retracted]: 584.2mm [23"]  
Length [Extended]: 666.75mm [26.25"]  
Outer Barrel Length: 139.7mm [5.5"]  
Inner Barrel Length: 184mm  
Inner Barrel Diameter: 6.05mm  
Magazine Capacity: 40 Rounds

Weight: 2.45 kg [5.4 lbs]  
Rate of Fire: 13+ RPS  
Velocity: 110-116 MPS [360-380 FPS]  
Energy Output with 0.20g BB: 1.20 Joules  
Gas System: Force Velocity [FV]  
Propellant: Green Gas

**SPECIAL FEATURES:** ■ 5" Free Float KeyMod Rail System - 4 Key



## LM4 KR7

### SPECIFICATIONS:

Length [Retracted]: 635mm [25"]  
Length [Extended]: 717.55mm [28.25"]  
Outer Barrel Length: 190.5mm [7.5"]  
Inner Barrel Length: 203mm  
Inner Barrel Diameter: 6.05mm  
Magazine Capacity: 40 Rounds

Weight: 2.54 kg [5.6 lbs]  
Rate of Fire: 13+ RPS  
Velocity: 110-116 MPS [360-380 FPS]  
Energy Output with 0.20g BB: 1.20 Joules  
Gas System: Force Velocity [FV]  
Propellant: Green Gas

**SPECIAL FEATURES:** ■ 7" Free Float KeyMod Rail System - 7 Key



## LM4 KR9

### SPECIFICATIONS:

Length [Retracted]: 723.9mm [28.5"]  
 Length [Extended]: 806.45mm [31.75"]  
 Outer Barrel Length: 266.7mm [10.5"]  
 Inner Barrel Length: 292mm  
 Inner Barrel Diameter: 6.05mm  
 Magazine Capacity: 40 Rounds

Weight: 2.68 kg [5.9 lbs]  
 Rate of Fire: 13+ RPS  
 Velocity: 110-116 MPS [360-380 FPS]  
 Energy Output with 0.20g BB: 1.20 Joules  
 Gas System: Force Velocity [FV]  
 Propellant: Green Gas

**SPECIAL FEATURES:** ■ 9" Free Float KeyMod Rail System - 10 Key



## LM4 KR12

### SPECIFICATIONS:

Length [Retracted]: 844.55mm [33.25"]  
 Length [Extended]: 927.1mm [36.5"]  
 Outer Barrel Length: 406.4mm [16"]  
 Inner Barrel Length: 412mm  
 Inner Barrel Diameter: 6.05mm  
 Magazine Capacity: 40 Rounds

Weight: 2.81 kg [6.2 lbs]  
 Rate of Fire: 13+ RPS  
 Velocity: 110-116 MPS [360-380 FPS]  
 Energy Output with 0.20g BB: 1.20 Joules  
 Gas System: Force Velocity [FV]  
 Propellant: Green Gas

**SPECIAL FEATURES:** ■ 12" Free Float KeyMod Rail System - 13 Key



## LM4 KR14

### SPECIFICATIONS:

Length [Retracted]: 933.45mm [36.75"]  
 Length [Extended]: 1016mm [40"]  
 Outer Barrel Length: 508mm [20"]  
 Inner Barrel Length: 502mm  
 Inner Barrel Diameter: 6.05mm  
 Magazine Capacity: 40 Rounds

Weight: 2.54 kg [5.6 lbs]  
 Rate of Fire: 13+ RPS  
 Velocity: 110-116 MPS [370-400 FPS]  
 Energy Output with 0.20g BB: 1.45 Joules  
 Gas System: Force Velocity [FV]  
 Propellant: Green Gas

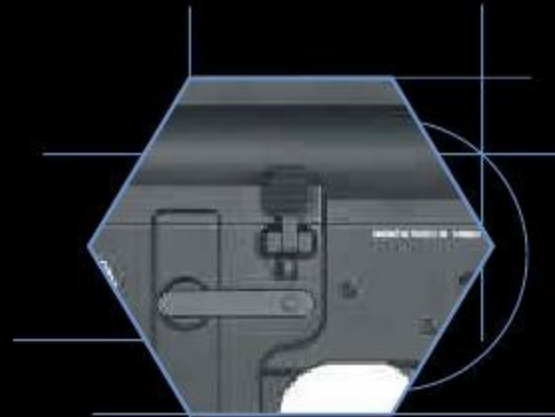
**SPECIAL FEATURES:** ■ 14" Free Float KeyMod Rail System - 16 Key



# LM4 PTR Series

## SERIES FEATURES:

- Adjustable Front and Rear Sights
- 6 Position Collapsible Stock
- Semi and Full Auto Select Fire
- Functional Bolt Catch
- Type 3 Adjustable Hop-Up
- Gas Operated Recoil Blowback
- Full Metal Alloy Receivers
- Realistic Construction and Field Stripping



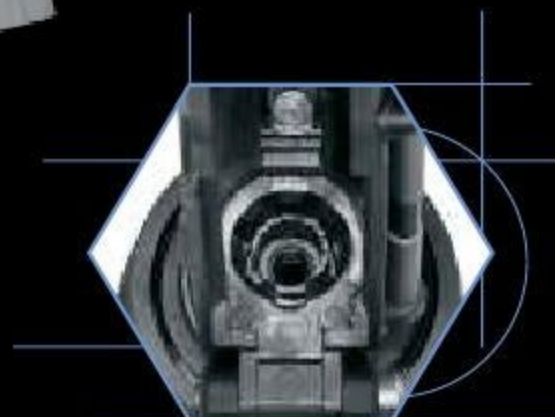
Functional Bolt Catch



Gas Operated Recoil Blowback



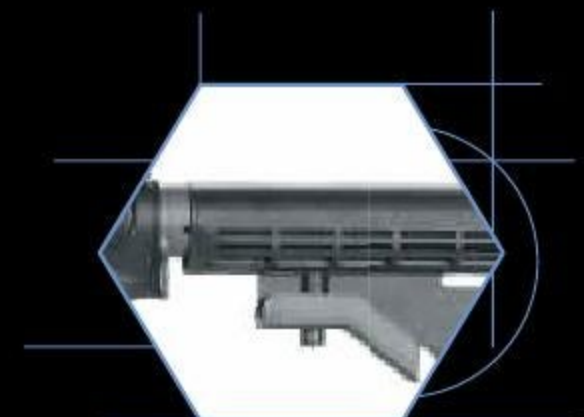
Semi and Full Auto Select Fire



Type 3 Adjustable Hop-Up



Realistic Construction and Field Stripping



6 Position Collapsible Stock

## LM4C PTR

### SPECIFICATIONS:

Length [Retracted]: 673.1mm [26.5"]  
 Length [Extended]: 755.6mm [29.75"]  
 Outer Barrel Length: 267mm [10.5"]  
 Inner Barrel Length: 248mm  
 Inner Barrel Diameter: 6.05mm  
 Magazine Capacity: 40 Rounds

Weight: 2.74 kg [6.04 lbs]  
 Rate of Fire: 13+ RPS  
 Velocity: 110-116 MPS [360-380 FPS]  
 Energy Output with 0.20g BB: 1.20 Joules  
 Gas System: Force Velocity [FV]  
 Propellant: Green Gas

**SPECIAL FEATURES:** ■ Removable Rear Sight



## LM4 PTR

### SPECIFICATIONS:

Length [Retracted]: 774.7mm [30.5"]  
 Length [Extended]: 857.3mm [33.75"]  
 Outer Barrel Length: 355.6mm [14"]  
 Inner Barrel Length: 370mm  
 Inner Barrel Diameter: 6.05mm  
 Magazine Capacity: 40 Rounds

Weight: 3.1 kg [6.83 lbs]  
 Rate of Fire: 13+ RPS  
 Velocity: 110-116 MPS [360-380 FPS]  
 Energy Output with 0.20g BB: 1.20 Joules  
 Gas System: Force Velocity [FV]  
 Propellant: Green Gas

**SPECIAL FEATURES:** ■ Removable Carry Handle



## LM4 RIS PTR

### SPECIFICATIONS:

Length [Retracted]: 806.45mm [31.75"]  
 Length [Extended]: 892.17mm [35.13"]  
 Outer Barrel Length: 355.6mm [14"]  
 Inner Barrel Length: 370mm  
 Inner Barrel Diameter: 6.05mm  
 Magazine Capacity: 40 Rounds

Weight: 3.4 kg [7.5 lbs]  
 Rate of Fire: 13+ RPS  
 Velocity: 110-116 MPS [360-380 FPS]  
 Energy Output with 0.20g BB: 1.20 Joules  
 Gas System: Force Velocity [FV]  
 Propellant: Green Gas

**SPECIAL FEATURES:** ■ Removable Rear Sight  
 ■ 2 Piece Rail Interface System  
 ■ 6 Position Crane Stock w/QD Sling Mount



# Gas Blowback Rifle [GBBR]

## AKG 74SU

### SPECIAL FEATURES:

- AK Side Optic Mount
- Adjustable Front and Rear Sights
- Fiber Reinforced Hand Guard
- Semi and Full Auto Select Fire
- Side Folding Skeleton Stock
- Type 4 Adjustable Hop-Up
- Gas Operated Recoil Blowback
- Full Metal Alloy Receiver
- Realistic Construction and Field Stripping

### SPECIFICATIONS:

Length [Retracted]: 501.7mm [19.75"]  
Length [Extended]: 743mm [29.25"]  
Outer Barrel Length: 168.3mm [6.63"]  
Inner Barrel Length: 215.9mm  
Inner Barrel Diameter: 6.05mm  
Magazine Capacity: 40 Rounds  
Weight: 3.32 kg [7.32 lbs]  
Rate of Fire: 14+ RPS  
Velocity: 100-107 MPS [330-350 FPS]  
Energy Output with 0.20g BB: 1.07 Joules  
Gas System: Force Velocity [FV] | Propellant: Green Gas



## AKG 74M

### SPECIAL FEATURES:

- AK Side Optic Mount
- Adjustable Front and Rear Sights
- Fiber Reinforced Hand Guard
- Semi and Full Auto Select Fire
- Fiber Reinforced Folding Stock
- Type 4 Adjustable Hop-Up
- Gas Operated Recoil Blowback
- Full Metal Alloy Receiver
- Realistic Construction and Field Stripping

### SPECIFICATIONS:

Length [Retracted]: 705mm [27.76"]  
Length [Extended]: 945mm [37.2"]  
Outer Barrel Length: 323.9mm [12.75"]  
Inner Barrel Length: 420mm  
Inner Barrel Diameter: 6.05mm  
Magazine Capacity: 40 Rounds  
Weight: 3.52 kg [7.76 lbs]  
Rate of Fire: 14+ RPS  
Velocity: 110-116 MPS [360-380 FPS]  
Energy Output with 0.20g BB: 1.20 Joules  
Gas System: Force Velocity [FV] | Propellant: Green Gas



## AKG KCR

### SPECIAL FEATURES:

- AK Side Optic Mount
- 5 Position LE Stock
- Left and Right QD Sling Point on Buffer Tube
- 3 Position Picatinny Rail System
- Semi and Full Auto Select Fire
- Type 4 Adjustable Hop-Up
- Gas Operated Recoil Blowback
- Full Metal Alloy Receiver
- Realistic Construction and Field Stripping

### SPECIFICATIONS:

Length [Retracted]: 901.7mm [35.5"]  
Length [Extended]: 984.25mm [38.75"]  
Outer Barrel Length: 409.58mm [16.13"]  
Inner Barrel Length: 439.74mm  
Inner Barrel Diameter: 6.05mm  
Magazine Capacity: 40 Rounds  
Weight: 3.75 kg [8.27 lbs]  
Rate of Fire: 14+ RPS  
Velocity: 110-116 MPS [360-380 FPS]  
Energy Output with 0.20g BB: 1.20 Joules  
Gas System: Force Velocity [FV] | Propellant: Green Gas





# Electric Recoil Gun

The **KWA Electric Recoil Gun [ERG]** is the next evolution of the Automatic Electric Gun [AEG]. The ERG features the trademark KWA high-quality external build and the Third Generation Extreme [3GX] Gearbox specifically designed to incorporate the patented Kinetic Feedback System [KFS].

The ERG line features a rear-wired battery crane stock, allowing the user to modify the front end of the rifle with a variety of rails without having to store a battery in an external compartment. Unlike a typical AEG, a mechanical/electrical cut-off system has been integrated into the gearbox, enabling the rifle to cease fire after the last round is expelled from the supplied magazine.

The **KWA 3GX Gearbox** is the new standard for performance, reliability, and realism. This unique design surpasses the standard gearbox with its robust shell, balanced gear set, quick change spring system, and KWA's patented Kinetic Feedback System [KFS].

The ERG generates a sharp and crisp recoil by utilizing an enhanced spring and buffer that engages with every trigger pull. The **Kinetic Feedback System [KFS]** is the latest in KWA engineering that simulates the felt recoil of a rifle. By introducing recoil with the KFS, KWA has managed to increase realism in the field to an all new level.



# RM4 KR Series

## SERIES FEATURES:

- KWA KFS - Simulated Recoil
- Mechanical / Electric Cut-Off System
- Includes 2" Polymer Rail Segments [2]
- Adjustable / Removable Front and Rear Sights
- 6 Position Collapsible Crane Stock with Battery Compartment [Wired to Rear]
- Semi and Full Auto Select Fire
- KWA 3GX Gearbox
- KWA 2G High Performance Bucking
- Adjustable One Piece Hop-Up
- Full Metal Alloy Receivers



Includes 2" Polymer Rail Segments [2]



KWA KFS - Simulated Recoil



Free Float KeyMod Rail System

## RM4 KR5

### SPECIFICATIONS:

Length [Retracted]: 590.55mm [23.25"]  
Length [Extended]: 673.1mm [26.5"]  
Outer Barrel Length: 139.7mm [5.5"]  
Inner Barrel Length: 198mm  
Inner Barrel Diameter: 6.05mm  
Magazine Capacity: 30/60 Rounds

Weight: 2.8 kg [6.2 lbs]  
Rate of Fire: 17+ RPS  
Velocity: 97-107 MPS [320-350 FPS]  
Energy Output with 0.20g BB: 1.07 Joules  
Power Source: 9.6v NiMh, 7.4v or  
11.1v 15c Li-po/Li-Fe

- ### SPECIAL FEATURES:
- 5" Free Float KeyMod Rail System - 4 Key
  - Mock Suppressor



## RM4 KR7

### SPECIFICATIONS:

Length [Retracted]: 641.35mm [25.25"]  
Length [Extended]: 723.9mm [28.5"]  
Outer Barrel Length: 190.5mm [7.5"]  
Inner Barrel Length: 218mm  
Inner Barrel Diameter: 6.05mm  
Magazine Capacity: 30/60 Rounds

Weight: 3.01 kg [6.64 lbs]  
Rate of Fire: 17+ RPS  
Velocity: 100-107 MPS [330-350 FPS]  
Energy Output with 0.20g BB: 1.07 Joules  
Power Source: 9.6v NiMh, 7.4v or  
11.1v 15c Li-po/Li-Fe

- ### SPECIAL FEATURES:
- 7" Free Float KeyMod Rail System - 6 Key



## RM4 KR9

### SPECIFICATIONS:

Length [Retracted]: 730.3mm [28.75"]  
 Length [Extended]: 812.8mm [32"]  
 Outer Barrel Length: 266.7mm [10.5"]  
 Inner Barrel Length: 309mm  
 Inner Barrel Diameter: 6.05mm  
 Magazine Capacity: 30/60 Rounds

Weight: 3.0 kg [6.61 lbs]  
 Rate of Fire: 17+ RPS  
 Velocity: 100-107 MPS [330-350 FPS]  
 Energy Output with 0.20g BB: 1.07 Joules  
 Power Source: 9.6v NiMh, 7.4v or  
 11.1v 15c Li-po/Li-Fe



**SPECIAL FEATURES:** ■ 9" Free Float KeyMod Rail System - 9 Key

## RM4 KR12

### SPECIFICATIONS:

Length [Retracted]: 847.8mm [33.38"]  
 Length [Extended]: 939mm [36.97"]  
 Outer Barrel Length: 406.4mm [16"]  
 Inner Barrel Length: 426mm  
 Inner Barrel Diameter: 6.05mm  
 Magazine Capacity: 30/60 Rounds

Weight: 3.18 kg [7.01 lbs]  
 Rate of Fire: 17+ RPS  
 Velocity: 116-125 MPS [380-410 FPS]  
 Energy Output with 0.20g BB: 1.45 Joules  
 Power Source: 9.6v NiMh, 7.4v or  
 11.1v 15c Li-po/Li-Fe



**SPECIAL FEATURES:** ■ 12" Free Float KeyMod Rail System - 13 Key

## RM4 KR14

### SPECIFICATIONS:

Length [Retracted]: 946.15mm [37.25"]  
 Length [Extended]: 1028.7mm [40.5"]  
 Outer Barrel Length: 508mm [20"]  
 Inner Barrel Length: 523mm  
 Inner Barrel Diameter: 6.05mm  
 Magazine Capacity: 30/60 Rounds

Weight: 3.3 kg [7.28 lbs]  
 Rate of Fire: 17+ RPS  
 Velocity: 116-125 MPS [380-410 FPS]  
 Energy Output with 0.20g BB: 1.45 Joules  
 Power Source: 9.6v NiMh, 7.4v or  
 11.1v 15c Li-po/Li-Fe



**SPECIAL FEATURES:** ■ 14" Free Float KeyMod Rail System - 15 Key

# Electric Recoil Gun [ERG]

## RM4A1

### SPECIAL FEATURES:

- KWA KFS - Simulated Recoil
- Mechanical / Electric Cut-Off System
- Adjustable Front and Rear Sights
- Removable Carry Handle
- 6 Position Collapsible Stock with Battery Compartment [Wired to Rear]
- Semi and Full Auto Select Fire
- KWA 3GX Gearbox
- KWA 2G High Performance Bucking
- Adjustable One Piece Hop-Up
- Full Metal Alloy Receivers

### SPECIFICATIONS:

Length [Retracted]: 774.7mm [30.5"]  
Length [Extended]: 857.3mm [33.75"]  
Outer Barrel Length: 355.6mm [14"]  
Inner Barrel Length: 395mm  
Inner Barrel Diameter: 6.05mm  
Magazine Capacity: 30/60 Rounds  
Weight: 3.4 kg [7.5 lbs]  
Rate of Fire: 14+ RPS  
Velocity: 115-125 MPS [380-410 FPS]  
Energy Output with 0.20g BB: 1.45 Joules  
Power Source: KFS [Kinetic Feedback System] 11.1v 15c Li-po/Li-Fe



## AKR 74SU

### SPECIAL FEATURES:

- AK Side Rail Mount
- Adjustable Front and Rear Sights
- Fiber Reinforced Hand Guard with Battery Compartment
- Semi and Full Auto Select Fire
- Side Folding Skeleton Stock
- KWA 3GX Gearbox
- KWA 2G High Performance Bucking
- Adjustable One Piece Hop-Up
- Full Metal Alloy Receiver

### SPECIFICATIONS:

Length [Retracted]: 501.7mm [19.75"]  
Length [Extended]: 743mm [29.25"]  
Outer Barrel Length: 168.3mm [6.63"]  
Inner Barrel Length: 267mm  
Inner Barrel Diameter: 6.05mm  
Magazine Capacity: 30/60 Rounds  
Weight: 2.95 kg [6.5 lbs]  
Rate of Fire: 23+ RPS  
Velocity: 100-107 MPS [330-350 FPS]  
Energy Output with 0.20g BB: 1.07 Joules  
Power Source: KFS [Kinetic Feedback System] 11.1v 15c Li-po/Li-Fe



## AKR 74M

### SPECIAL FEATURES:

- AK Side Rail Mount
- Adjustable Front and Rear Sights
- Fiber Reinforced Hand Guard with Battery Compartment
- Semi and Full Auto Select Fire
- Fiber Reinforced Folding Stock
- KWA 3GX Gearbox
- KWA 2G High Performance Bucking
- Adjustable One Piece Hop-Up
- Full Metal Alloy Receiver

### SPECIFICATIONS:

Length [Retracted]: 704mm [27.5"]  
Length [Extended]: 946.2mm [37.25"]  
Outer Barrel Length: 368mm [14.5"]  
Inner Barrel Length: 488mm  
Inner Barrel Diameter: 6.05mm  
Magazine Capacity: 30/60 Rounds  
Weight: 3.12 kg [6.88 lbs]  
Rate of Fire: 21+ RPS  
Velocity: 115-125 MPS [380-410 FPS]  
Energy Output with 0.20g BB: 1.45 Joules  
Power Source: KFS [Kinetic Feedback System] 11.1v 15c Li-po/Li-Fe



# Automatic Electric Gun

The **KWA Automatic Electric Gun [AEG]** is one of the longest produced, full-size products that KWA manufactures. Our line of AEGs have been designed and engineered to deliver the familiarity of a real AR platform to allow a natural transition to a KWA AEG. The external build quality and ergonomics have been given great attention to detail. Every rifle in our AEG line features a full metal alloy upper/lower receiver and components to match the AR platform. The stock and pistol grip are comprised of a high impact polymer to reduce weight and ensure strength where it is needed.

The **KWA 2GX Gearbox** is an evolution of the classic Version 2 Gearbox. From the reinforced Shell and balanced gear set, to the compression assembly, every aspect of the 2GX Gearbox has been meticulously designed to work in perfect harmony. Innovative design and engineering have given the KWA AEG series a reputation for efficiency and reliability, while continuing to set a new industry standard.



# KM4 KR Series

## SERIES FEATURES:

- Includes 2" Polymer Rail Segments [2]
- Adjustable / Removable Front and Rear Sights
- 6 Position Collapsible Crane Stock with Batter Compartment [Wired to Rear]
- Semi and Full Auto Select Fire
- KWA 2GX Gearbox
- KWA 2G High Performance Bucking
- Adjustable Hop-Up
- Full Metal Alloy Receivers
- Mock Gas Piston Unit



Includes 2" Polymer Rail Segments [2]



Semi and Full Auto Select Fire



Free Float KeyMod Rail System

## KM4 KR5

### SPECIFICATIONS:

Length [Retracted]: 590.55mm [23.25"]  
Length [Extended]: 673.1mm [26.5"]  
Outer Barrel Length: 139.7mm [5.5"]  
Inner Barrel Length: 198mm  
Inner Barrel Diameter: 6.05mm  
Magazine Capacity: 120 Rounds

Weight: 2.8 kg [6.2 lbs]  
Rate of Fire: 17+ RPS  
Velocity: 97-107 MPS [320-350 FPS]  
Energy Output with 0.20g BB: 1.07 Joules  
Power Source: 9.6v NiMH, 7.4v or 11.1v 15c Li-po/Li-Fe

- SPECIAL FEATURES:**
- 5" Free Float KeyMod Rail System - 4 Key
  - Mock Suppressor



## KM4 KR7

### SPECIFICATIONS:

Length [Retracted]: 641.35mm [25.25"]  
Length [Extended]: 723.9mm [28.5"]  
Outer Barrel Length: 190.5mm [7.5"]  
Inner Barrel Length: 218mm  
Inner Barrel Diameter: 6.05mm  
Magazine Capacity: 120 Rounds

Weight: 3.01 kg [6.64 lbs]  
Rate of Fire: 17+ RPS  
Velocity: 100-107 MPS [330-350 FPS]  
Energy Output with 0.20g BB: 1.07 Joules  
Power Source: 9.6v NiMH, 7.4v or 11.1v 15c Li-po/Li-Fe

- SPECIAL FEATURES:**
- 7" Free Float KeyMod Rail System - 6 Key



## KM4 KR9

### SPECIFICATIONS:

Length [Retracted]: 730.3mm [28.75"]  
 Length [Extended]: 812.8mm [32"]  
 Outer Barrel Length: 266.7mm [10.5"]  
 Inner Barrel Length: 309mm  
 Inner Barrel Diameter: 6.05mm  
 Magazine Capacity: 120 Rounds

Weight: 3.0 kg [6.61 lbs]  
 Rate of Fire: 17+ RPS  
 Velocity: 100-107 MPS [330-350 FPS]  
 Energy Output with 0.20g BB: 1.07 Joules  
 Power Source: 9.6v NiMh, 7.4v or  
 11.1v 15c Li-po/Li-Fe



**SPECIAL FEATURES:** • 9" Free Float KeyMod Rail System - 9 Key

## KM4 KR12

### SPECIFICATIONS:

Length [Retracted]: 847.8mm [33.38"]  
 Length [Extended]: 929mm [36.97"]  
 Outer Barrel Length: 406.4mm [16"]  
 Inner Barrel Length: 426mm  
 Inner Barrel Diameter: 6.05mm  
 Magazine Capacity: 120 Rounds

Weight: 3.18 kg [7.01 lbs]  
 Rate of Fire: 17+ RPS  
 Velocity: 116-125 MPS [380-410 FPS]  
 Energy Output with 0.20g BB: 1.45 Joules  
 Power Source: 9.6v NiMh, 7.4v or  
 11.1v 15c Li-po/Li-Fe



**SPECIAL FEATURES:** • 12" Free Float KeyMod Rail System - 13 Key

## KM4 KR14

### SPECIFICATIONS:

Length [Retracted]: 946.15mm [37.25"]  
 Length [Extended]: 1028.7mm [40.5"]  
 Outer Barrel Length: 508mm [20"]  
 Inner Barrel Length: 523mm  
 Inner Barrel Diameter: 6.05mm  
 Magazine Capacity: 120 Rounds

Weight: 3.3 kg [7.28 lbs]  
 Rate of Fire: 17+ RPS  
 Velocity: 116-125 MPS [380-410 FPS]  
 Energy Output with 0.20g BB: 1.45 Joules  
 Power Source: 9.6v NiMh, 7.4v or  
 11.1v 15c Li-po/Li-Fe



**SPECIAL FEATURES:** • 14" Free Float KeyMod Rail System - 15 Key

# Automatic Electric Gun [AEG]

## KM4 SR7

### SPECIAL FEATURES:

- Adjustable Front and Rear Sights
- Removable Rear Sight
- 6 Position Collapsible Crane Stock with Battery Compartment [Wired to Rear]
- 7" Free Float Picatinny Rail
- Semi and Full Auto Select Fire
- KWA 2GX Gearbox
- KWA 2G High Performance Bucking
- Adjustable Hop-Up
- Full Metal Alloy Receivers

### SPECIFICATIONS:

Length [Retracted]: 700mm [27.5"]  
Length [Extended]: 787.4mm [31"]  
Outer Barrel Length: 267mm [10.5"]  
Inner Barrel Length: 273mm  
Inner Barrel Diameter: 6.05mm  
Magazine Capacity: 120 Rounds  
Weight: 3.1 kg [6.83 lbs]  
Rate of Fire: 17+ RPS  
Velocity: 100-107 MPS [330-350 FPS]  
Energy Output with 0.20g BB: 1.07 Joules  
Power Source: 9.6v NiMh, 7.4v or 11.1v 15c Li-po/Li-Fe



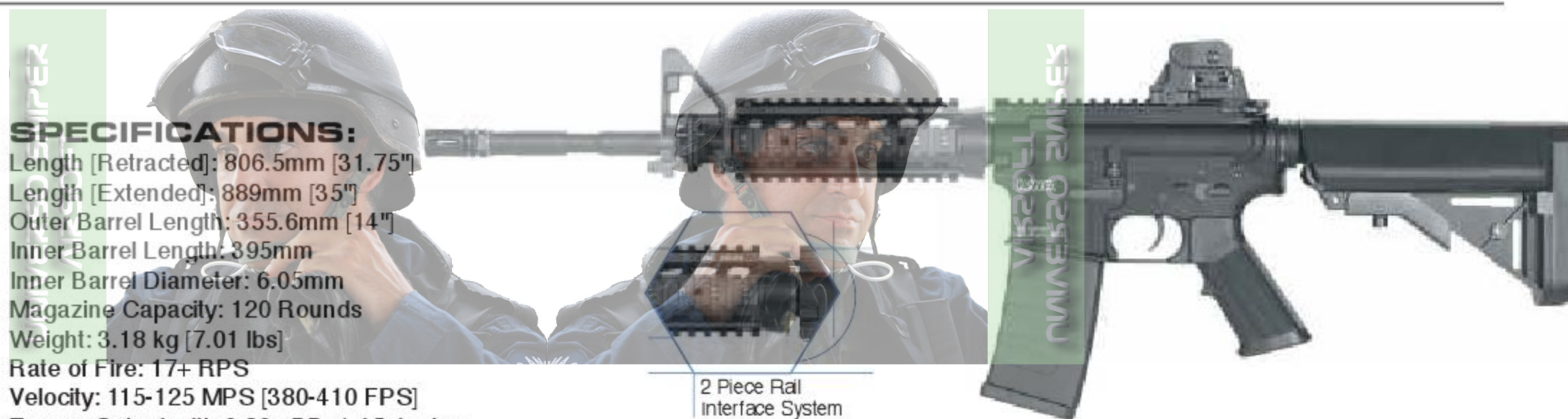
## KM4 RIS

### SPECIAL FEATURES:

- Adjustable Front and Rear Sights
- Removable Rear Sight
- 6 Position Collapsible Crane Stock with Battery Compartment [Wired to Rear]
- 2 Piece Rail Interface System
- Semi and Full Auto Select Fire
- KWA 2GX Gearbox
- KWA 2G High Performance Bucking
- Adjustable Hop-Up
- Full Metal Alloy Receivers

### SPECIFICATIONS:

Length [Retracted]: 806.5mm [31.75"]  
Length [Extended]: 889mm [35"]  
Outer Barrel Length: 355.6mm [14"]  
Inner Barrel Length: 395mm  
Inner Barrel Diameter: 6.05mm  
Magazine Capacity: 120 Rounds  
Weight: 3.18 kg [7.01 lbs]  
Rate of Fire: 17+ RPS  
Velocity: 115-125 MPS [380-410 FPS]  
Energy Output with 0.20g BB: 1.45 Joules  
Power Source: 9.6v NiMh, 7.4v or 11.1v 15c Li-po/Li-Fe



## KM4 SR10

### SPECIAL FEATURES:

- Adjustable / Removable Front and Rear Sights
- 6 Position Collapsible Crane Stock with Battery Compartment [Wired to Rear]
- 10" Free Float Picatinny Rail
- Semi and Full Auto Select Fire
- KWA 2GX Gearbox
- KWA 2G High Performance Bucking
- Adjustable Hop-Up
- Full Metal Alloy Receivers

### SPECIFICATIONS:

Length [Retracted]: 844.5mm [33.25"]  
Length [Extended]: 927.1mm [36.5"]  
Outer Barrel Length: 406.4mm [16"]  
Inner Barrel Length: 425mm  
Inner Barrel Diameter: 6.05mm  
Magazine Capacity: 120 Rounds  
Weight: 3.3 kg [7.28 lbs]  
Rate of Fire: 17+ RPS  
Velocity: 115-125 MPS [380-410 FPS]  
Energy Output with 0.20g BB: 1.45 Joules  
Power Source: 9.6v NiMh, 7.4v or 11.1v 15c Li-po/Li-Fe





## KM4 CQB

### SPECIAL FEATURES:

- Adjustable Front and Rear Sights
- Removable Rear Sight
- 6 Position Collapsible Crane Stock with Battery Compartment [Wired to Rear]
- Polymer Front Hand Guard
- Semi and Full Auto Select Fire
- KWA 2GX Gearbox
- KWA 2G High Performance Bucking
- Adjustable Hop-Up
- Full Metal Alloy Receivers

### SPECIFICATIONS:

Length [Retracted]: 673.1mm [26.5"]  
 Length [Extended]: 756mm [29.75"]  
 Outer Barrel Length: 266.7mm [10.5"]  
 Inner Barrel Length: 273mm  
 Inner Barrel Diameter: 6.05mm  
 Magazine Capacity: 120 Rounds  
 Weight: 2.69 kg [5.93 lbs]  
 Rate of Fire: 17+ RPS  
 Velocity: 100-107 MPS [330-350 FPS]  
 Energy Output with 0.20g BB: 1.14 Joules  
 Power Source: 9.6v NiMh, 7.4v or 11.1v 15c Li-po/Li-Fe



## KM4A1

### SPECIAL FEATURES:

- Adjustable Front and Rear Sights
- Removable Carry Handle
- 6 Position Collapsible Crane Stock with Battery Compartment [Wired to Rear]
- Polymer Front Hand Guard
- Semi and Full Auto Select Fire
- KWA 2GX Gearbox
- KWA 2G High Performance Bucking
- Adjustable Hop-Up
- Full Metal Alloy Receivers

### SPECIFICATIONS:

Length [Retracted]: 781.05mm [30.75"]  
 Length [Extended]: 863.6mm [34"]  
 Outer Barrel Length: 368.3mm [14.5"]  
 Inner Barrel Length: 395mm  
 Inner Barrel Diameter: 6.05mm  
 Magazine Capacity: 120 Rounds  
 Weight: 2.9 kg [6.4 lbs]  
 Rate of Fire: 17+ RPS  
 Velocity: 115-125 MPS [380-410 FPS]  
 Energy Output with 0.20g BB: 1.45 Joules  
 Power Source: 9.6v NiMh, 7.4v or 11.1v 15c Li-po/Li-Fe



## KM16 BR

### SPECIAL FEATURES:

- Adjustable Front and Rear Sights
- Removable Carry Handle
- Fiber Reinforced Fixed Stock with Battery Compartment [Wired to Rear]
- Polymer Front Hand Guard
- Semi and Full Auto Select Fire
- KWA 2GX Gearbox
- KWA 2G High Performance Bucking
- Adjustable Hop-Up
- Full Metal Alloy Receivers

### SPECIFICATIONS:

Overall Length: 1003.3mm [39.5"]  
 Outer Barrel Length: 508mm [20"]  
 Inner Barrel Length: 509mm  
 Inner Barrel Diameter: 6.05mm  
 Magazine Capacity: 120 Rounds  
 Weight: 3.21 kg [7.07 lbs]  
 Rate of Fire: 17+ RPS  
 Velocity: 115-145 MPS [380-410 FPS]  
 Energy Output with 0.20g BB: 1.45 Joules | Power Source: 9.6v NiMh, 7.4v or 11.1v 15c Li-po/Li-Fe



# Gas Blowback Pistol



The **Gas Blowback Pistol [GBB]** is the flagship for the KWA line of products. Utilizing the latest high performance **New Structure 2 [NS2] Gas System**, KWA has designed an extensive variety of gas blowback pistols that are reliable, consistent, and gas efficient.

Each pistol is made to scale and features full-metal construction for proper weight and feel when compared to its firearm counterpart. Keeping muscle memory in mind, realistic cycling action, fire controls and field stripping are recreated for a more dynamic training experience without the risk or cost associated with live fire training. This attention to detail enables the user to take advantage of existing gear and tactics for training in a non-lethal manner.

The patented **KWA New Structure 2 [NS2] Gas System** is found exclusively in KWA manufactured products and utilizes an advanced, lightweight composite gas piston with a two-stage internal expansion chamber that delivers gas more efficiently than its predecessors. This design increases the weapon's cycle rate while providing crisp realistic blowback action. Muzzle velocity is increased and shots are more consistent due to minimal moving parts and the tighter tolerances of the NS2 Gas System. These characteristics make the NS2 Gas System the optimal choice for use in training.

## ATP

### SPECIAL FEATURES:

- Accessory Rail
- 3 Dot Combat Sight
- Extended Slide Release
- Interchangeable Back Strap
- Front and Rear Slide Serrations
- Adjustable Hop-Up
- Full Metal Alloy Slide
- Polymer Frame
- Gas Operated Recoil Blowback
- Realistic Construction & Field Stripping

### SPECIFICATIONS:

Overall Height: 145mm [5.71"]  
 Overall Length: 197mm [7.75"]  
 Outer Barrel Length: 119mm [4.69"]  
 Inner Barrel Length: 100mm  
 Inner Barrel Diameter: 6.05mm  
 Magazine Capacity: 23 Rounds  
 Weight: 0.70 kg [1.54 lbs]  
 Velocity: 104-107 MPS [340-350 FPS]  
 Rate of Fire: N/A  
 Energy Output with 0.20g BB: 1.07 Joules  
 Gas System: New Structure 2 [NS2]  
 Propellant: Green Gas



## ATP Auto

### SPECIAL FEATURES:

- Accessory Rail
- 3 Dot Combat Sight
- Extended Slide Release
- Interchangeable Back Strap
- Front and Rear Slide Serrations
- Semi and Full Auto Select Fire
- Adjustable Hop-Up
- Full Metal Alloy Slide
- Polymer Frame
- Gas Operated Recoil Blowback
- Realistic Construction & Field Stripping

UNIVERSO SNIPER  
AIRSOFT

### SPECIFICATIONS:

Overall Height: 145mm [5.71"]  
 Overall Length: 203.2mm [8"]  
 Outer Barrel Length: 123.83mm [4.88"]  
 Inner Barrel Length: 100mm  
 Inner Barrel Diameter: 6.05mm  
 Magazine Capacity: 23 Rounds  
 Weight: 0.70 kg [1.54 lbs]  
 Velocity: 97-100 MPS [320-330 FPS]  
 Rate of Fire: ~15 RPS  
 Energy Output with 0.20g BB: 1.07 Joules  
 Gas System: New Structure 2 [NS2]  
 Propellant: Green Gas



## ATP Compact

### SPECIAL FEATURES:

- Accessory Rail
- 3 Dot Combat Sight
- Extended Slide Release
- Front and Rear Slide Serrations
- Adjustable Hop-Up
- Full Metal Alloy Slide
- Polymer Frame
- Gas Operated Recoil Blowback
- Realistic Construction & Field Stripping

### SPECIFICATIONS:

Overall Height: 127mm [5"]  
 Overall Length: 177.8mm [7"]  
 Outer Barrel Length: 101.5mm [3.996"]  
 Inner Barrel Length: 88.5mm  
 Inner Barrel Diameter: 6.05mm  
 Magazine Capacity: 19 Rounds  
 Weight: 0.675 kg [1.488 lbs]  
 Velocity: 97-100 MPS [320-330 FPS]  
 Rate of Fire: N/A  
 Energy Output with 0.20g BB: 0.98 Joules  
 Gas System: New Structure 2 [NS2]  
 Propellant: Green Gas



# Gas Blowback Pistol [GBB]

## M9 PTP

### SPECIAL FEATURES:

- 3 Dot Combat Sight
- Rear Slide Serrations
- Lanyard Loop
- Adjustable Hop-Up
- Ambidextrous De-Cocking / Safety Lever
- Gas Operated Recoil Blowback
- Full Metal Alloy Construction
- Realistic Construction & Field Stripping

### SPECIFICATIONS:

Overall Height: 143mm [5.63"]  
Overall Length: 216mm [8.5"]  
Outer Barrel Length: 123mm [4.84"]  
Inner Barrel Length: 107mm  
Inner Barrel Diameter: 6.05mm  
Magazine Capacity: 24 Rounds  
Weight: 1.06 kg [2.34 lbs]  
Velocity: 104-107 MPS [340-350 FPS]  
Rate of Fire: N/A  
Energy Output with 0.20g BB: 1.07 Joules  
Gas System: New Structure 2 [NS2]  
Propellant: Green Gas



## M9 Tactical PTP

### SPECIAL FEATURES:

- Accessory Rail
- 3 Dot Combat Sight
- Rear Slide Serrations
- Lanyard Loop
- Adjustable Hop-Up
- Ambidextrous De-Cocking / Safety Lever
- Gas Operated Recoil Blowback
- Full Metal Alloy Construction
- Realistic Construction & Field Stripping

### SPECIFICATIONS:

Overall Height: 143mm [5.63"]  
Overall Length: 216mm [8.5"]  
Outer Barrel Length: 123mm [4.84"]  
Inner Barrel Length: 107mm  
Inner Barrel Diameter: 6.05mm  
Magazine Capacity: 24 Rounds  
Weight: 1.06 kg [2.34 lbs]  
Velocity: 104-107 MPS [340-350 FPS]  
Rate of Fire: N/A  
Energy Output with 0.20g BB: 1.07 Joules  
Gas System: New Structure 2 [NS2]  
Propellant: Green Gas



## M93R II

### SPECIAL FEATURES:

- Semi-Auto & 3 Round Burst Select Fire
- Extended Trigger Guard
- Integrated Forward Grip
- Rear Slide Serrations
- Functional Safety
- Adjustable Hop-Up
- Gas Operated Recoil Blowback
- Full Metal Alloy Construction
- Realistic Construction & Field Stripping

### SPECIFICATIONS:

Overall Height: 175mm [6.89"]  
Overall Length: 247mm [9.75"]  
Outer Barrel Length: 155mm [6.13"]  
Inner Barrel Length: 127mm  
Inner Barrel Diameter: 6.05mm  
Magazine Capacity: 32 Rounds  
Weight: 2.74 kg [6.04 lbs]  
Velocity: 110-116 MPS [360-380 FPS]  
Rate of Fire: 13+ RPS  
Energy Output with 0.20g BB: 1.20 Joules  
Gas System: Force Velocity [FV]  
Propellant: Green Gas





# Gas Blowback Pistol [GBB]

## 1911 MK II PTP

### SPECIAL FEATURES:

- Accessory Rail
- 3 Dot Combat Sight
- Beaver Tail Grip Safety
- Ambidextrous Thumb Safety Lever
- Front and Rear Slide Serrations
- Skeletonized Trigger and Hammer
- Adjustable Trigger Over-Travel
- Adjustable Hop-Up
- Gas Operated Recoil Blowback
- Full Metal Alloy Construction
- Realistic Construction & Field Stripping

### SPECIFICATIONS:

Overall Height: 152.4mm [6.0"]  
Overall Length: 222.2mm [8.75"]  
Outer Barrel Length: 134.6mm [5.3"]  
Inner Barrel Length: 115mm  
Inner Barrel Diameter: 6.05mm  
Magazine Capacity: 21 Rounds  
Weight: 1.09 kg [2.4 lbs]  
Velocity: 104-107 MPS [340-350 FPS]  
Rate of Fire: N/A  
Energy Output with 0.20g BB: 1.07 Joules  
Gas System: New Structure 2 [NS2]  
Propellant: Green Gas



## 1911 MK III PTP

### SPECIAL FEATURES:

- 3 Dot Combat Sight
- Beaver Tail Grip Safety
- Ambidextrous Thumb Safety Lever
- Front and Rear Slide Serrations
- Skeletonized Trigger and Hammer
- Conical Outer Barrel
- Extended Magwell
- Adjustable Trigger Over-Travel
- Adjustable Hop-Up
- Gas Operated Recoil Blowback
- Full Metal Alloy Construction

### SPECIFICATIONS:

Overall Height: 152.4mm [6.0"]  
Overall Length: 222.2mm [8.75"]  
Outer Barrel Length: 132.14mm [5.2"]  
Inner Barrel Length: 115mm  
Inner Barrel Diameter: 6.05mm  
Magazine Capacity: 21 Rounds  
Weight: 1.01 kg [2.23 lbs]  
Velocity: 104-107 MPS [340-350 FPS]  
Rate of Fire: N/A  
Energy Output with 0.20g BB: 1.07 Joules  
Gas System: New Structure 2 [NS2]  
Propellant: Green Gas

UNIVERSO SIMPEX  
AIRSOFT



UNIVERSO SIMPEX  
AIRSOFT

Extended Magwell



## 1911 MK IV PTP

### SPECIAL FEATURES:

- Accessory Rail
- 3 Dot Combat Sight
- Beaver Tail Grip Safety
- Ambidextrous Thumb Safety Lever
- Front and Rear Slide Serrations
- Skeletonized Trigger and Hammer
- Extended Magwell
- Adjustable Hop-Up
- Gas Operated Recoil Blowback
- Full Metal Alloy Construction

### SPECIFICATIONS:

Overall Height: 152.4mm [6.0"]  
Overall Length: 222.2mm [8.75"]  
Outer Barrel Length: 132.14mm [5.2"]  
Inner Barrel Length: 115mm  
Inner Barrel Diameter: 6.05mm  
Magazine Capacity: 21 Rounds  
Weight: 1.09 kg [2.4 lbs]  
Velocity: 104-107 MPS [340-350 FPS]  
Rate of Fire: N/A  
Energy Output with 0.20g BB: 1.07 Joules  
Gas System: New Structure 2 [NS2]  
Propellant: Green Gas



## KZ75

### SPECIAL FEATURES:

- Functional Safety
- Rear Slide Serrations
- Adjustable Hop-Up
- Gas Operated Recoil Blowback
- Full Metal Alloy Construction
- Realistic Construction & Field Stripping

### SPECIFICATIONS:

Overall Height: 140mm [5.51"]  
 Overall Length: 210mm [8.27"]  
 Outer Barrel Length: 122.27mm [4.81"]  
 Inner Barrel Length: 115mm  
 Inner Barrel Diameter: 6.05mm  
 Magazine Capacity: 23 Rounds  
 Weight: 0.97 kg [2.07 lbs]  
 Velocity: 104-107 MPS [340-350 FPS]  
 Rate of Fire: N/A  
 Energy Output with 0.20g BB: 1.07 Joules  
 Gas System: New Structure 2 [NS2]  
 Propellant: Green Gas



## TT-33

### SPECIAL FEATURES:

- Adjustable Hop-Up
- Lanyard Loop
- Gas Operated Recoil Blowback
- Full Metal Alloy Construction
- Realistic Construction & Field Stripping

### SPECIFICATIONS:

Overall Height: 130mm [5.12"]  
 Overall Length: 203.2mm [8"]  
 Outer Barrel Length: 120.65mm [4.75"]  
 Inner Barrel Length: 104mm  
 Inner Barrel Diameter: 6.05mm  
 Magazine Capacity: 11 Rounds  
 Weight: 0.75 kg [1.65 lbs]  
 Velocity: 97-100 MPS [320-330 FPS]  
 Rate of Fire: N/A  
 Energy Output with 0.20g BB: 0.98 Joules  
 Gas System: New Structure 2 [NS2]  
 Propellant: Green Gas

UNIVERSO SNIPER AIRSOFT



UNIVERSO SNIPER AIRSOFT



## MKV

### SPECIAL FEATURES:

- Lanyard Loop
- De-Cocking / Safety Lever
- Rear Slide Serrations
- Adjustable Hop-Up
- Gas Operated Recoil Blowback
- Full Metal Alloy Construction
- Realistic Construction & Field Stripping

### SPECIFICATIONS:

Overall Height: 127mm [5.0"]  
 Overall Length: 171mm [6.75"]  
 Outer Barrel Length: 93.4mm [3.67"]  
 Inner Barrel Length: 77mm  
 Inner Barrel Diameter: 6.05mm  
 Magazine Capacity: 10 Rounds  
 Weight: 0.58 kg [1.28 lbs]  
 Velocity: 85 MPS [280 FPS]  
 Rate of Fire: N/A  
 Energy Output with 0.20g BB: 0.73 Joules  
 Gas System: New Structure 2 [NS2]  
 Propellant: Green Gas



# Gas Blowback SMG



The KWA Gas Blowback Sub-Machine Gun [SMG] utilizes the manufacturing design of our flagship Gas Blowback Pistols and is the perfect solution for close quarters environments.

The SMG is the ideal secondary weapon to complement any rifle. Each one features full-auto capability, small dimensions, and is lightweight – supplying more firepower than the standard pistol.

Our SMG line utilizes both of the reliable New Structure 2 [NS2] and Force Velocity [FV] Gas Systems found in our Gas Blowback Pistols and Gas Blowback Rifles.

The minimal moving parts of the KWA NS2 and FV Gas Systems also provide an increased muzzle velocity and consistent gas efficiency during escalated volumes of fire, minimizing the “cool down” effect.



## MP40

### SPECIAL FEATURES:

- Adjustable Front and Rear Sights
- Front and Rear Sling Loops
- Under-Fold Stock
- Threaded Barrel with Thread Protector
- Full Auto Fire Only
- Type 4 Adjustable Hop-Up
- Gas Operated Recoil Blowback
- Full Metal Alloy Receiver with Bakelite Style Furniture
- Realistic Construction & Field Stripping

### SPECIFICATIONS:

Length [Folded]: 673mm [26.5"]  
 Length [Extended]: 755.65mm [29.75"]  
 Outer Barrel Length: 267mm [10.5"]  
 Inner Barrel Length: 248mm  
 Inner Barrel Diameter: 6.05mm  
 Magazine Capacity: 46 Rounds  
 Weight: 2.74 kg [6.04 lbs]  
 Rate of Fire: 13+ RPS  
 Velocity: 115-145 MPS [380-410 FPS]  
 Energy Output with 0.20g BB: 1.45 Joules  
 Gas System: Force Velocity [FV]  
 Propellant: Green Gas



## kz. 61 Škorpion

### SPECIAL FEATURES:

- Functional Bolt Catch
- Adjustable Front and Rear Sights
- Removable Top Folding Stock
- Ambidextrous Charging Knobs
- Lanyard Loops
- Semi and Full Auto Select Fire
- Type 3 Adjustable Hop-Up
- Gas Operated Recoil Blowback
- Reinforced Polymer Body
- Realistic Construction and Field Stripping

### SPECIFICATIONS:

Overall Height: 171.45mm [6.75"]  
 Length [Folded]: 273.05mm [10.75"]  
 Length [Extended]: 517.53mm [20.375"]  
 Outer Barrel Length: 116.84mm [4.6"]  
 Inner Barrel Length: 103.5mm  
 Inner Barrel Diameter: 6.05mm  
 Magazine Capacity: 20 Rounds  
 Weight: 1.54 kg [3.4 lbs]  
 Velocity: 94-100 MPS [310-330 FPS]  
 Rate of Fire: 21+ RPS  
 Energy Output with 0.20g BB: 1.01 Joules  
 Gas System: New Structure 2 [NS2]  
 Propellant: Green Gas



## M11A1

### SPECIAL FEATURES:

- Retractable Stock
- Functional Safety
- Front Sling Loop
- Threaded Barrel
- Semi and Full Auto Select Fire
- Adjustable Hop-Up
- Gas Operated Recoil Blowback
- Polymer Upper and Lower Receivers
- Realistic Construction and Field Stripping

### SPECIFICATIONS:

Overall Height: 250mm [9.84"]  
 Length [Folded]: 254mm [10.0"]  
 Length [Extended]: 455.17mm [17.92"]  
 Outer Barrel Length: 55.5mm [2.185"]  
 Inner Barrel Length: 115mm  
 Inner Barrel Diameter: 6.05mm  
 Magazine Capacity: 48 Rounds  
 Weight: 1.32 kg [2.91 lbs]  
 Velocity: 107-110 MPS [340-360 FPS]  
 Rate of Fire: 20+ RPS  
 Energy Output with 0.20g BB: 1.07 Joules  
 Gas System: Force Velocity [FV]  
 Propellant: Green Gas



# Gas Blowback Sub-Machine Gun [SMG]

## KMP9

### SPECIAL FEATURES:

- Trigger Safety
- Integrated Forward Grip
- Side Folding Stock
- Metal Picatinny Accessory Rail
- Semi and Full Auto Select Fire
- Adjustable Hop-Up
- Gas Operated Recoil Blowback
- Fiber Reinforced Polymer Receivers
- Realistic Construction & Field Stripping

### SPECIFICATIONS:

Overall Height: 260mm [10.24"]  
Length [Folded]: 310mm [12.2"]  
Length [Extended]: 530mm [20.87"]  
Outer Barrel Length: 152.4mm [6"]  
Inner Barrel Length: 140mm  
Inner Barrel Diameter: 6.05mm  
Magazine Capacity: 48 Rounds  
Weight: 1.74 kg [3.84 lbs]  
Velocity: 115-145 MPS [380-400 FPS]  
Rate of Fire: 20+ RPS  
Energy Output with 0.20g BB: 1.45 Joules  
Gas System: Force Velocity [FV]  
Propellant: Green Gas



UNIVERSO SIMPER  
AIRSOFT



Dark Earth



UNIVERSO SIMPER  
AIRSOFT

## KMP9R

### SPECIAL FEATURES:

- Trigger Safety
- Side Folding Stock
- Metal Picatinny Accessory Rails
- Semi and Full Auto Select Fire
- Adjustable Hop-Up
- Gas Operated Recoil Blowback
- Fiber Reinforced Polymer Receivers
- Realistic Construction & Field Stripping

### SPECIFICATIONS:

Overall Height: 260mm [10.24"]  
Length [Folded]: 310mm [12.2"]  
Length [Extended]: 530mm [20.87"]  
Outer Barrel Length: 152.4mm [6"]  
Inner Barrel Length: 140mm  
Inner Barrel Diameter: 6.05mm  
Magazine Capacity: 48 Rounds  
Weight: 1.74 kg [3.84 lbs]  
Velocity: 115-145 MPS [380-400 FPS]  
Rate of Fire: 20+ RPS  
Energy Output with 0.20g BB: 1.45 Joules  
Gas System: Force Velocity [FV]  
Propellant: Green Gas



# Performance Built



UNIVERSO SIMPER  
AIRSOFT

VIKSOFT  
UNIVERSO SIMPER



**KWA PERFORMANCE INDUSTRIES, INC.**

18571 E. Gale Ave.  
City of Industry, CA 91748

T: 626.581.1777

F: 626.581.0777

[youtube.com/kwainsider](https://www.youtube.com/kwainsider)  
[facebook.com/kwaperformance](https://www.facebook.com/kwaperformance)

[kwausa.com](http://kwausa.com)  
[kwausa.com/support](http://kwausa.com/support)

[twitter.com/kwa\\_airsoft](https://twitter.com/kwa_airsoft)  
[instagram.com/kwa\\_airsoft](https://www.instagram.com/kwa_airsoft)